

RADIO FRECUENCIA Y PUESTA A TIERRA, S.A. DE C.V.



CATÁLOGO MOLDES

CONEXIONES EXOTÉRMICAS NOMENCLATURA

Conexiones de Sistema de Tierra

De acuerdo a las Notas que acompañan a las Normas NEC 250-81, 250-91, 250-113, 250-115 y la IEEE Std 80-1986, todas las conexiones de cobre a cobre y de cobre a acero con conductores del calibre #8 o mas, tiene que ser soldadas exotermicamente.

Los conductores soldados deben ser considerados como un conductor continuo.

Las conexiones de Sistema de Tierra para equipo, tienen que usar Zapatas. Cuando los conductores son Calibre #8 o mayor, tienen que ser soldados exotermicamente.

| CLAVE DEL PRECIO | | CONDUCTOR PRINCIPAL O DE PASO | |
|------------------|-----|-------------------------------|----|
| TIPO DE CONEXIÓN | | DERIVACIÓN DEL CONDUCTOR | |
| PT | 3 - | 1X | 1H |
| SS | 3 - | 2L | |
| TA | 3 - | 2C | 1L |

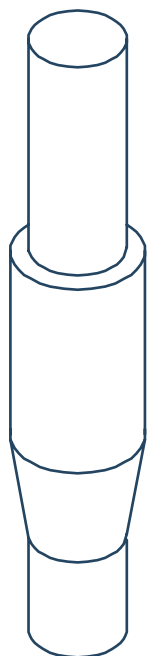
| CLAVE DEL PRECIO | | CALIBRE DEL CABLE 1/0 | |
|------------------|-----|-----------------------|------|
| TIPO DE CONEXIÓN | | DIAMETRO DE 3" IPS | |
| VS | 3 - | 2C | - V3 |



RADIO FRECUENCIA Y PUESTA A TIERRA, S.A. DE C.V.

CONEXION EMPALME DE VARILLAS PARA TIERRA

GB



**DIAMETRO
NOMINAL
VARILLA**

**TIPO DE
VARILLA**

MOLDE

CARGA

1/2"

Con recubrimiento de acero
o de cobre seccionado
(9/16" roscado)

HDGB3-14

250

Con recubrimiento de cobre
liso sin roscado

HDGB3-15

250

Con recubrimiento de cobre
seccionado con roscado de 1/2"

HDGB3-13

250

5/8"

Con recubrimiento de cobre;
0.563" de diámetro.
Apto para varilla lisa y
roscada

HDGB4-16

2-150

0.625" diámetro
De acero, con recubrimiento de
acero, galvanizado, etc.

HDGB4-31

2-150

3/4"

Con recubrimiento de cobre;
0.682" de diámetro
Apto para varilla lisa y roscada

HDGB4-18

2-200

0.750" diámetro
De acero, con recubrimiento de
acero, galvanizado, etc.

HDGB4-33

2-200

1"

Con recubrimiento de cobre; 0.914"
de diámetro
Apto para varilla lisa y roscada

HDGB6-22

3-250

1.000" diámetro
De acero, con recubrimiento
de acero, galvanizado, etc.

HDGB6-37

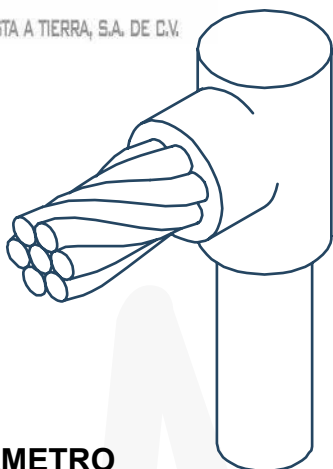
3-250



RADIO FRECUENCIA Y PUESTA A TIERRA, S.A. DE C.V.

CONEXION CABLE A VARILLA PARA TIERRA, CONEXION DE CABLE TERMINAL A VARILLA DE TIERRA

GR



**DIAMETRO
NOMINAL
VARILLA**

DERIVACION

**Ø COBRIZADA
12.7 mm**

**Ø COBRIZADA
12.0 mm**

**Ø COBRIZADA
11.3 mm**

CARGA

1/2"

| | | | | |
|----------|------------|------------|------------|----|
| 6 | GR21-14C1H | GR21-14A1H | GR21-14B1H | 25 |
| 6 Alam | GR21-14C1G | GR21-14A1G | GR21-14B1G | 25 |
| 4 | GR21-14C1L | GR21-14A1L | GR21-14B1L | 25 |
| 4 Alam | GR21-14C1K | GR21-14A1K | GR21-14B1K | 25 |
| 2 Alam | GR21-14C1T | GR21-14A1T | GR21-14B1T | 32 |
| 2 | GR3-141V | GR3-151V | GR3-131V | 65 |
| 1 | GR3-141Y | GR3-151Y | GR3-131Y | 65 |
| 1/0 | GR3-142C | GR3-152C | GR3-132C | 90 |
| 1/0 Alam | GR3-142B | GR3-152B | GR3-132B | 90 |
| 2/0 | GR3-142G | GR3-152G | GR3-132G | 90 |
| 3/0 | GR3-142L | GR3-152L | GR3-132L | 90 |
| 4/0 | GR3-142Q | GR3-152Q | GR3-132Q | 90 |
| 250 | GR3-142V | GR3-152V | GR3-132V | 90 |
| 300 | GR3-143A | GR3-153A | GR3-133A | 90 |

**DIAMETRO
NOMINAL
VARILLA**

DERIVACION

**Ø COBRIZADA
14.3 mm**

**Ø COBRIZADA
16.0 mm**

CARGA

5/8"

| | | | |
|----------|-----------|-----------|-----|
| 6 | GR21-161H | GT21-311H | 32 |
| 6 Alam | GR21-161G | GT21-311G | 32 |
| 4 Alam | GR21-161K | GT21-311K | 32 |
| 4 | GR3-161L | GR3-311L | 65 |
| 2 Alam | GR3-161T | GR3-311T | 65 |
| 2 | GR3-161V | GR3-311V | 65 |
| 1 | GR3-161Y | GR3-311Y | 65 |
| 1/0 | GR3-162C | GR3-312C | 90 |
| 1/0 Alam | GR3-162B | GR3-312B | 90 |
| 2/0 | GR3-162G | GR3-312G | 90 |
| 3/0 | GR3-162L | GR3-312L | 90 |
| 4/0 | GR3-162Q | GR3-312Q | 90 |
| 250 | GR3-162V | GR3-312V | 90 |
| 300 | GR3-163A | GR3-313A | 115 |
| 350 | GR3-163D | GR3-313D | 115 |
| 500 | GR3-163Q | GR3-313Q | 150 |

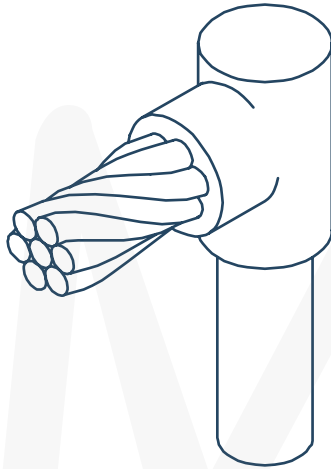
CABLEWELD®



RADIO FRECUENCIA Y PUESTA A TIERRA, S.A. DE C.V.

CONEXION CABLE A VARILLA PARA TIERRA, CONEXION DE CABLE TERMINAL A VARILLA DE TIERRA

GR



DIAMETRO NOMINAL VARILLA

3/4"

DERIVACION

Ø COBRIZADA 17.3 mm

Ø COBRIZADA 19.0 mm

CARGA

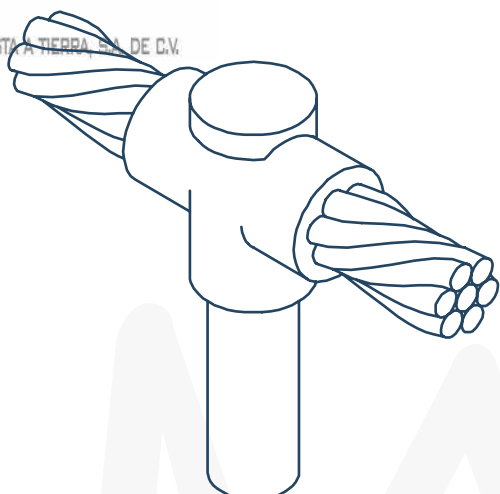
| | | | |
|----------|-----------|-----------|-----|
| 6 | GR21-181H | GR21-331H | 32 |
| 6 Alam | GR21-181G | GR21-331G | 32 |
| 4 | GR21-181L | GR21-331L | 45 |
| 4 Alam | GR21-181K | GR21-331K | 45 |
| 2 Alam | GR3-181T | GR3-331T | 90 |
| 2 | GR3-181V | GR3-331V | 90 |
| 1 | GR3-181Y | GR3-331Y | 90 |
| 1/0 | GR3-182C | GR3-332C | 90 |
| 1/0 Alam | GR3-182B | GR3-332B | 90 |
| 2/0 | GR3-182G | GR3-332G | 90 |
| 3/0 | GR3-182L | GR3-332L | 90 |
| 4/0 | GR3-182Q | GR3-332Q | 90 |
| 250 | GR3-182V | GR3-332V | 90 |
| 300 | GR3-183A | GR3-333A | 115 |
| 350 | GR3-183D | GR3-333D | 115 |
| 500 | GR3-183Q | GR3-333Q | 150 |



RADIO FRECUENCIA Y PUESTA A TIERRA S.A. DE C.V.

CONEXION CABLE A VARILLA PARA TIERRA, CONEXION DE CABLE DE PASO A VARILLA DE TIERRA

GT



| DIAMETRO NOMINAL VARILLA | DERIVACION | Ø COBRIZADA 12.7 mm | Ø COBRIZADA 12.0 mm | Ø COBRIZADA 11.3 mm | CARGA |
|--------------------------|------------|---------------------|---------------------|---------------------|-------|
| 1/2" | 6 | GT21-14C1H | GT21-14A1H | GT21-14B1H | 32 |
| | 6 Alam | GT21-14C1G | GT21-14A1G | GT21-14B1G | 32 |
| | 4 | GT21-14C1L | GT21-14A1L | GT21-14B1L | 32 |
| | 4 Alam | GT21-14C1K | GT21-14A1K | GT21-14B1K | 32 |
| | 2 Alam | GT3-141T | GT3-151T | GT3-131T | 90 |
| | 2 | GT3-141V | GT3-151V | GT3-131V | 90 |
| | 1 | GT3-141Y | GT3-151Y | GT3-131Y | 90 |
| | 1/0 | GT3-142C | GT3-152C | GT3-132C | 90 |
| | 1/0 Alam | GT3-142B | GT3-152B | GT3-132B | 90 |
| | 2/0 | GT3-142G | GT3-152G | GT3-132G | 90 |
| | 3/0 | GT3-142L | GT3-152L | GT3-132L | 115 |
| | 4/0 | GT3-142Q | GT3-152Q | GT3-132Q | 115 |
| | 250 | GT3-142V | GT3-152V | GT3-132V | 150 |
| | 300 | GT3-143A | GT3-153A | GT3-133A | 200 |

| DIAMETRO NOMINAL VARILLA | DERIVACION | Ø COBRIZADA 14.3 mm | Ø COBRIZADA 16.0 mm | CARGA |
|--------------------------|------------|---------------------|---------------------|-------|
| 5/8" | 6 | GT21-161H | GT21-311H | 32 |
| | 6 Alam | GT21-161G | GT21-311G | 32 |
| | 4 | GT21-161L | GT21-311L | 32 |
| | 4 Alam | GT21-161K | GT21-311K | 32 |
| | 2 Alam | GT3-161T | GT3-311T | 90 |
| | 2 | GT3-161V | GT3-311V | 90 |
| | 1 | GT3-161Y | GT3-311Y | 90 |
| | 1/0 | GT3-162C | GT3-312C | 90 |
| | 1/0 Alam | GT3-162B | GT3-312B | 115 |
| | 2/0 | GT3-162G | GT3-312G | 115 |
| | 3/0 | GT3-162L | GT3-312L | 115 |
| | 4/0 | GT3-162Q | GT3-312Q | 115 |
| | 250 | GT3-162V | GT3-312V | 150 |
| | 300 | GT3-163A | GT3-313A | 200 |
| | 350 | GT3-163D | GT3-313D | 200 |
| | 500 | GT3-163Q | GT3-313Q | 250 |

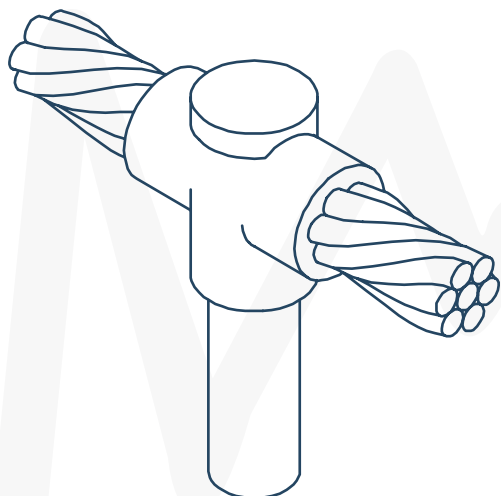
CABLEWELD®



RADIO FRECUENCIA Y PUESTA A TIERRA, S.A. DE C.V.

CONEXION CABLE A VARILLA PARA TIERRA, CONEXION DE CABLE DE PASO A VARILLA DE TIERRA

GT



**DIAMETRO
NOMINAL
VARILLA**

3/4"

DERIVACION

**Ø COBRIZADA
17.3 mm**

**Ø COBRIZADA
19.0 mm**

CARGA

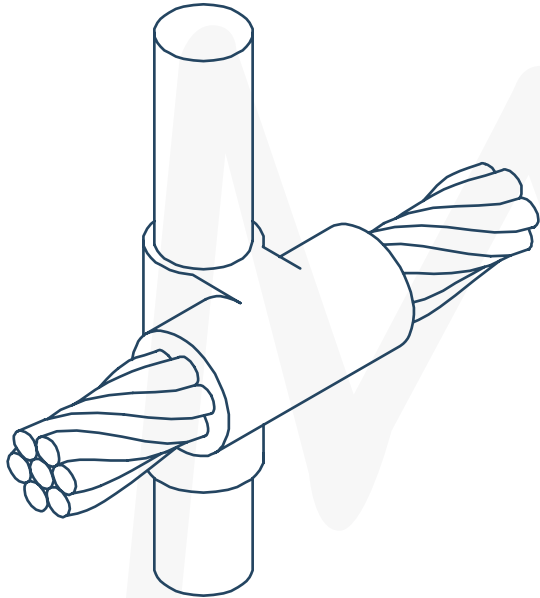
| | | | |
|----------|-----------|-----------|-----|
| 6 | GT17-181H | GT17-331H | 45 |
| 6 Alam | GT17-181G | GT17-331G | 45 |
| 4 | GT17-181L | GT17-331L | 65 |
| 4 Alam | GT17-181K | GT17-331K | 65 |
| 2 Alam | GT3-181T | GT3-331T | 90 |
| 2 | GT3-181V | GT3-331V | 90 |
| 1 | GT3-181Y | GT3-331Y | 90 |
| 1/0 | GT3-182C | GT3-332C | 115 |
| 1/0 Alam | GT3-182B | GT3-332B | 115 |
| 2/0 | GT3-182G | GT3-332G | 115 |
| 3/0 | GT3-182L | GT3-332L | 115 |
| 4/0 | GT3-182Q | GT3-332Q | 115 |
| 250 | GT3-182V | GT3-332V | 150 |
| 300 | GT3-183A | GT3-333A | 200 |
| 350 | GT3-183D | GT3-333D | 200 |
| 500 | GT3-183Q | GT3-333Q | 250 |



RADIO FRECUENCIA Y PUESTA A TIERRA, S.A. DE C.V.

CONEXION CABLE A VARILLA PARA TIERRA, CONEXION DE CABLE DE PASO A VARILLA PARA TIERRA

GY



**DIAMETRO
NOMINAL
VARILLA**

DERIVACION

**Ø COBRIZADA
12.7 mm**

**Ø COBRIZADA
12.0 mm**

**Ø COBRIZADA
11.3 mm**

CARGA

4 Cable o Alam

GY17-14001M

GY17-15001M

GY17-13001M

65

2 Cable o Alam

GY17-14002M

GY17-15002M

GY17-13002M

65

1 Cable o Alam

GY17-14003M

GY17-15003M

GY17-13003M

65

1/0

GY5-142C

GY5-152C

GY5-132C

115

1/0 Alam

GY5-142B

GY5-152B

GY5-132B

115

2/0

GY5-142G

GY5-152G

GY5-132G

115

3/0

GY5-142L

GY5-152L

GY5-132L

150

4/0

GY5-142Q

GY5-152Q

GY5-132Q

150

250

GY5-142V

GY5-152V

GY5-132V

150

300

GY5-143A

GY5-153A

GY5-133A

200

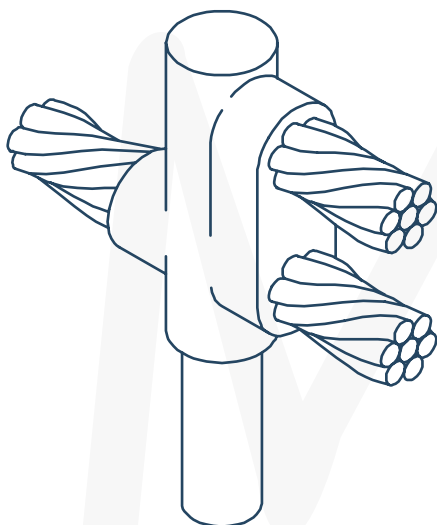
1/2"



RADIO FRECUENCIA Y PUESTA A TIERRA, S.A. DE C.V.

CONEXION CABLE A VARILLA PARA TIERRA, CONEXION DE CABLE DE PASO CON DERIVACION Y VARILLA PARA TIERRA

NC



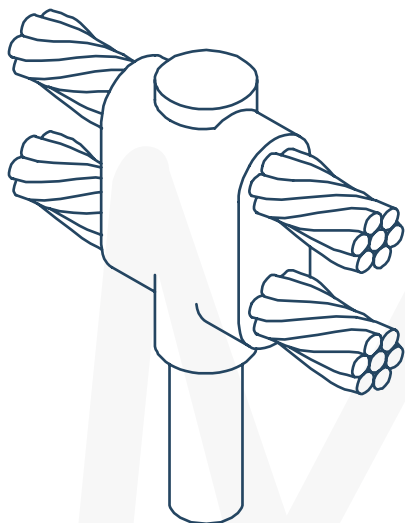
| DIAMETRO NOMINAL VARILLA | DERIVACION | Ø COBRIZADA 12.7 mm | Ø COBRIZADA 12.0 mm | Ø COBRIZADA 11.3 mm | CARGA |
|--------------------------------|------------|------------------------|------------------------|------------------------|-------|
| 1/2" | 4 | NC19-141L | NC19-151L | NC19-131L | 90 |
| | 2 | NC19-141V | NC19-151V | NC19-131V | 90 |
| | 1 | NC19-141Y | NC19-151Y | NC19-131Y | 90 |
| | 1/0 | NC19-142C | NC19-152C | NC19-132C | 115 |
| | 2/0 | NC19-142G | NC19-152G | NC19-132G | 150 |
| | 3/0 | NC19-142L | NC19-152L | NC19-132L | 200 |
| | 4/0 | NC19-142Q | NC19-152Q | NC19-132Q | 200 |
| | | | | | |
| | | | | | |
| | | | | | |



RADIO FRECUENCIA Y PUESTA A TIERRA, S.A. DE C.V.

CONEXION CABLE A VARILLA PARA TIERRA, CONEXION DE DOS CABLES DE PASO A VARILLA PARA TIERRA

ND



| DIAMETRO NOMINAL VARILLA | DERIVACION | Ø COBRIZADA 12.7 mm | Ø COBRIZADA 12.0 mm | Ø COBRIZADA 11.3 mm | CARGA |
|--------------------------|------------|---------------------|---------------------|---------------------|-------|
| 1/2" | 4 | ND19-141L | ND19-151L | ND19-131L | 115 |
| | 2 | ND19-141V | ND19-151V | ND19-131V | 115 |
| | 1 | ND19-141Y | ND19-151Y | ND19-131Y | 115 |
| | 1/0 | ND19-142C | ND19-152C | ND19-132C | 150 |
| | 2/0 | ND19-142G | ND19-152G | ND19-132G | 200 |
| | 3/0 | ND19-142L | ND19-152L | ND19-132L | 250 |
| | 4/0 | ND19-142Q | ND19-152Q | ND19-132Q | 250 |

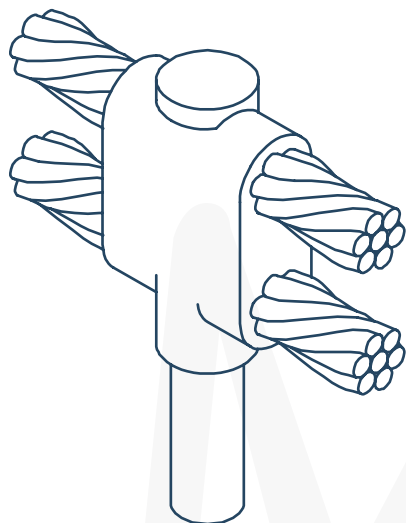
| DIAMETRO NOMINAL VARILLA | DERIVACION | Ø COBRIZADA 14.3 mm | Ø COBRIZADA 16.0 mm | CARGA |
|--------------------------|------------|---------------------|---------------------|-------|
| 5/8" | 4 | ND19-161L | ND19-311L | 115 |
| | 2 | ND19-161V | ND19-311V | 150 |
| | 1 | ND19-161Y | ND19-311Y | 150 |
| | 1/0 | ND19-162C | ND19-312C | 200 |
| | 2/0 | ND19-162G | ND19-312G | 250 |
| | 3/0 | ND6-162L | ND6-312L | 2-150 |
| | 4/0 | ND6-162Q | ND6-312Q | 2-150 |
| | 250 | ND6-162V | ND6-312V | 2-200 |
| | 300 | ND6-163A | ND6-313A | 2-250 |
| | 350 | ND6-163D | ND6-313D | 2-250 |
| | 500 | ND6-163Q | ND6-313Q | 3-250 |



RADIO FRECUENCIA Y PUESTA A TIERRA, S.A. DE C.V.

CONEXION CABLE A VARILLA PARA TIERRA, CONEXION DE DOS CABLES DE PASO A VARILLA PARA TIERRA

ND



DIAMETRO NOMINAL VARILLA

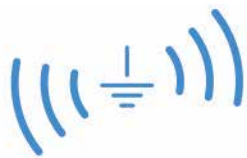
3/4"

| DERIVACION | Ø COBRIZADA 17.3 mm | Ø COBRIZADA 19.0 mm | CARGA |
|------------|---------------------|---------------------|-------|
| 4 | ND19-181L | ND19-331L | 115 |
| 2 | ND19-181V | ND19-331V | 150 |
| 1 | ND19-181Y | ND19-331Y | 150 |
| 1/0 | ND19-182C | ND19-332C | 200 |
| 2/0 | ND19-182G | ND19-332G | 250 |
| 3/0 | ND6-182L | ND6-332L | 2-150 |
| 4/0 | ND6-182Q | ND6-332Q | 2-150 |
| 250 | ND6-182V | ND6-332V | 2-200 |
| 300 | ND6-183A | ND6-333A | 2-250 |
| 350 | ND6-813D | ND6-333D | 2-250 |
| 500 | ND6-183Q | ND6-333Q | 3-250 |

DIAMETRO NOMINAL VARILLA

1"

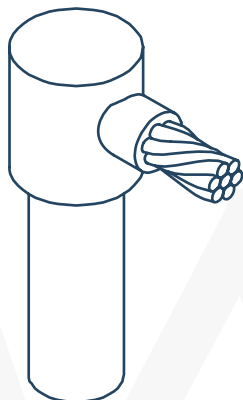
| DERIVACION | Ø COBRIZADA 17.3 mm | Ø COBRIZADA 19.0 mm | CARGA |
|------------|---------------------|---------------------|-------|
| 4 | ND19-221L | ND19-371L | 150 |
| 2 | ND19-221V | ND19-371V | 200 |
| 1 | ND19-221Y | ND19-371Y | 200 |
| 1/0 | ND19-222C | ND19-372C | 250 |
| 2/0 | ND6-222G | ND6-372G | 2-150 |
| 3/0 | ND6-222L | ND6-372L | 2-200 |
| 4/0 | ND6-222Q | ND6-372Q | 2-200 |
| 250 | ND6-222V | ND6-372V | 2-250 |
| 300 | ND6-223A | ND6-373A | 3-200 |
| 350 | ND6-223D | ND6-373D | 3-200 |



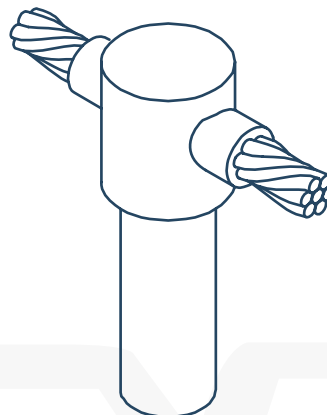
RADIO FRECUENCIA Y PUESTA A TIERRA, S.A. DE C.V.

ONE-SHOT CONEXION CABLE A VARILLA PARA TIERRA, CONEXIONES DE CABLE A VARILLA PARA TIERRA MEDIANTE EL USO DE LAS CONEXIONES TIPO ONE-SHOT

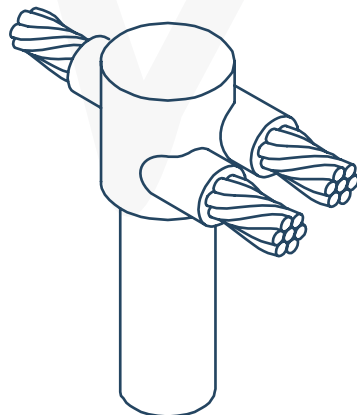
GR



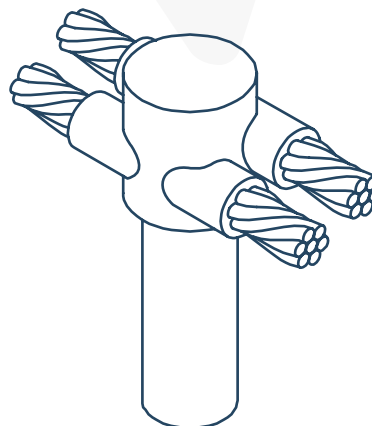
GT



NT



NX



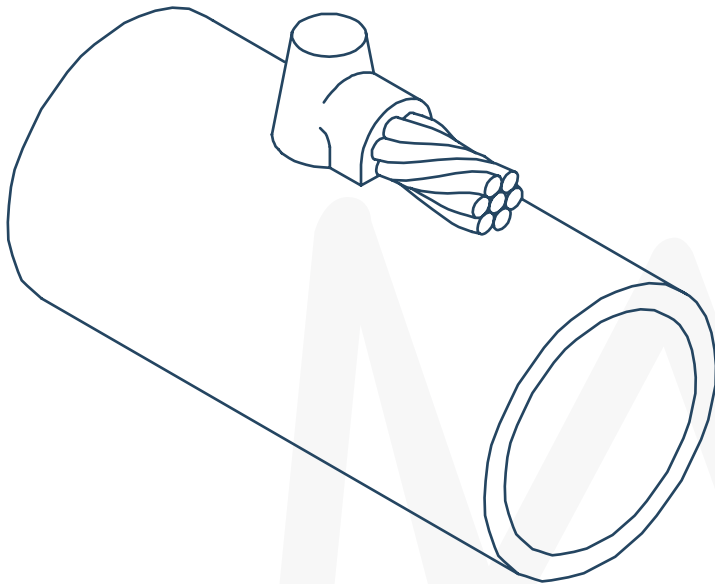
| DIAMETRO NOMINAL VARILLA | DERIVACION | | TIPO GR | TIPO GT | TIPO NT | TIPO NX |
|--------------------------|------------|----------------|----------|----------|----------|----------|
| | ALAMBRE | CABLE TRENZADO | | | | |
| 1/2" (12.7 mm) | 6,8 | 8 | GR1-141G | GT1-141G | NT1-141G | NX1-141G |
| | 3,4 | 4,6 | GR1-141L | GT1-141L | NT1-141L | NX1-141L |
| | 1,2 | 2,3 | GR1-141V | GT1-141V | - | - |
| 5/8" (14.3 mm) | 6,8 | 8 | GR1-161G | GT1-161G | NT1-161G | NX1-161G |
| | 3,4 | 4,6 | GR1-161L | GT1-161L | NT1-161L | NX1-161L |
| | 1,2 | 2,3 | GR1-161V | GT1-161V | NT1-161V | NX1-161V |
| | 2/0,1/0 | 1/0,1 | GR1-162C | GT1-162C | - | - |
| | | 2/0 | GR1-162G | - | - | - |
| | 4/0 | GR1-162Q | - | - | - | |
| 3/4" (17.3 mm) | 6,8 | 8 | GR1-181G | GT1-181G | NT1-181G | NX1-181G |
| | 3,4 | 4,6 | GR1-181L | GT1-181L | NT1-181L | NX1-181L |
| | 1,2 | 2,3 | GR1-181V | GT1-181V | NT1-181V | NX1-181V |
| | 2/0,1/0 | 1/0,1 | GR1-182C | GT1-182C | - | - |
| | | 2/0 | GR1-182G | - | - | - |
| | 4/0 | GR1-182Q | - | - | - | |



RADIO FRECUENCIA Y PUESTA A TIERRA, S.A. DE C.V.

CONEXION CABLE A TUBO DE ACERO HORIZONTAL, CONEXIONES DE CABLE A TUBO DE ACERO HORIZONTAL EN DIFERENTES RANGOS

HA



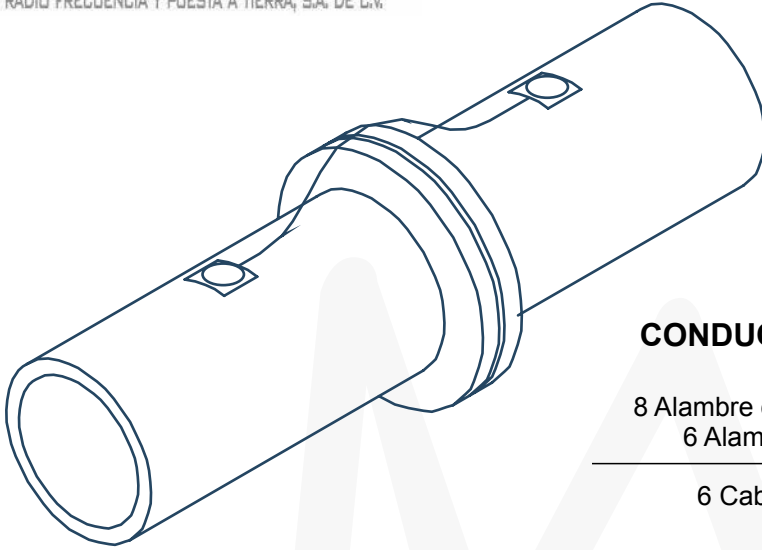
| DE PASO | DERIVACION | MOLDE | CARGA |
|---------|-------------|--------------|-------|
| 4 | 1 1/4" a 2" | HA1-1L-162C | 45 |
| | 3" a 4" | HA1-1L-350C | 45 |
| | 6" a 8" | HA1-1L-7C | 45 |
| | 10" a 12" c | HA1-1L-11C | 45 |
| | 14" o más | HA1-1L | 45 |
| 2 | 1 1/4" a 2" | HA1-1V-162C | 45 |
| | 3" a 4" | HA1-1V-350C | 45 |
| | 6" a 8" | HA1-1V-7C | 45 |
| | 10" a 12" c | HA1-1V-11C | 45 |
| | 14" o más | HA1-1V | 45 |
| 2 Alam | 1 1/4" a 2" | HA1-1V-162C | 45 |
| | 3" a 4" | HAA1-1V-350C | 45 |
| | 6" a 8" | HA1-1V-7C | 45 |
| | 10" a 12" c | HA1-1V-11C | 45 |
| | 14" o más | HA1-1V | 45 |
| 1 | 1 1/4" a 2" | HA1-1Y-325C | 65 |
| | 6" a 8" | HA1-1Y-7C | 65 |
| | 10" a 12" c | HA1-1Y-11C | 65 |
| | 14" o más | HA1-1Y | 65 |
| 1/0 | 3" a 4" | HA8-2C-350C | 90 |
| | 6" a 10" | HA8-2C-8C | 90 |
| | 12" a 28" | HA8-2C-20C | 90 |
| | 30' o más | (1) | |
| 2/0 | 3" a 4" | HA8-2G-350C | 90 |
| | 6" a 10" | HA8-2G-8C | 90 |
| | 12" a 28" | HA8-2G-20C | 90 |
| | 30' o más | (1) | |
| 3/0 | 3" a 4" | HA8-2L-350C | 115 |
| | 6" a 10" | HA8-2L-8C | 115 |
| | 12" a 28" | HA8-2C-20C | 115 |
| | 30' o más | (1) | |
| 4/0 | 3" a 4" | HA8-2Q-350C | 115 |
| | 6" a 10" | HA8-2Q-8C | 115 |
| | 12" a 28" | HA8-2Q-20C | 115 |
| | 30' o más | (1) | |



RADIO FRECUENCIA Y PUESTA A TIERRA, S.A. DE C.V.

CONEXIONES A HIERRO COLADO, CONEXIONES DE CABLE A SUPERFICIE DE HIERRO FUNDIDO

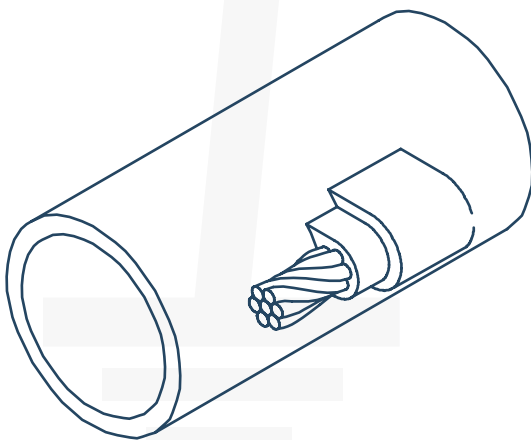
HB



| CONDUCTOR | Ø NOMINAL TUBO | MOLDE | CARGA |
|--------------------------------|---------------------------|-------------------------------|--------------------|
| 8 Alambre o Cable 6 Alambre | Plana Tubo de 4" a 24" | HB1-1G HB1-1G- Ø T* | 25XF-19 25XF-19 |
| 6 Cable | Plana Tubo de 4" a 24" | HB1-1G HB1-1G- Ø T* | 25XF-19 25XF-19 |
| 4 Alambre | Plana Tubo de 4" a 24" | HB1-1G HB1-1G- Ø T* | 45XF-19 45XF-19 |
| 4 Cable | Plana Tubo de 4" a 24" | HB1-1G HB1-1G- Ø T* | 45XF-19 45XF-19 |
| 2 Alambre | Plana Tubo de 4" a 24" | HB1-1G HB1-1G- Ø T* | 45XF-19 45XF-19 |
| 2 Cable | Plana Tubo de 4" a 24" | HB1-1G HB1-1G- Ø T* | 45XF-19 45XF-19 |
| 1 Cable | Plana Tubo de 4" a 24" | HB1-1G45XF-19 HB1-1G- Ø T* | 65XF-19 65XF-19 |

CONEXION CABLE A SUPERFICIE DE ACERO VERTICAL, CONEXION DE CABLE HORIZONTAL A SUPERFICIE DE ACERO VERTICAL

VN



| CABLE | MOLDE | CARGA |
|---------|--------|-------|
| 6* | VN3-1H | 45 |
| 4 | VN3-1L | 45 |
| 2 Alam. | VN3-1T | 65 |
| 2 | VN3-1V | 45 |
| 1 | VN3-1Y | 65 |
| 1/0 | VN3-2C | 90 |
| 2/0 | VN3-2G | 90 |
| 3/0 | VN3-2L | 115 |
| 4/0 | VN3-2Q | 115 |
| 250 | VN3-2V | 115 |
| 300 | VN3-3A | 150 |
| 350 | VN3-3D | 200 |
| 500 | VN3-3Q | 200 |

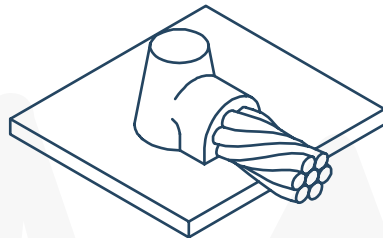


RADIO FRECUENCIA Y PUESTA A TIERRA, S.A. DE C.V.

CONEXION CABLE A SUPERFICIE DE ACERO HORIZONTAL

CONEXION DE CABLE A SUPERFICIE DE ACERO HORIZONTAL

HA

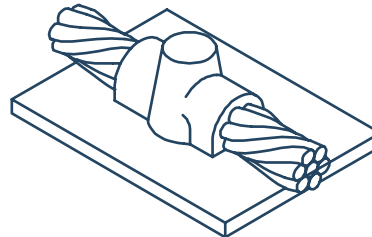


Cable Pegado a Superficie

| CABLE | MOLDE | CARGA |
|---------|--------|-------|
| 6* | HA1-1H | 45 |
| 4 | HA1-1L | 45 |
| 2 Alam. | HA1-1T | 45 |
| 2 | HA1-1V | 45 |
| 1 | HA1-1Y | 65 |

CONEXION DE CABLE DE PASO A SUPERFICIE DE ACERO HORIZONTAL

HC

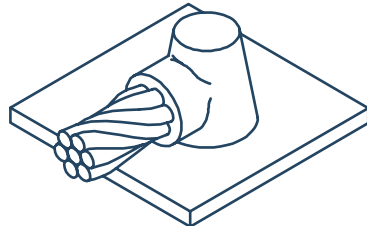


Cable Pegado a Superficie

| CABLE | MOLDE | CARGA |
|---------|--------|-------|
| 6* | HC1-1H | 45 |
| 4 | HC1-1L | 45 |
| 2 Alam. | HC1-1T | 45 |
| 2 | HC1-1V | 45 |
| 1 | HC1-1Y | 65 |

CONEXION DE CABLE A SUPERFICIE DE ACERO HORIZONTAL

HS

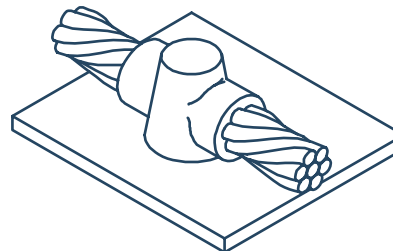


Cable Despegado de la SuperficieC

| CABLE | MOLDE | CARGA |
|-------|--------|-------|
| 1/0 | HS3-2C | 90 |
| 2/0 | HS3-2G | 90 |
| 3/0 | HS3-2L | 115 |
| 4/0 | HS3-2Q | 115 |
| 250 | HS3-2V | 115 |
| 300 | HS3-3A | 150 |
| 350 | HS3-3D | 200 |
| 500 | HS3-3Q | 200 |
| 750 | HS4-4L | 2-150 |
| 1000 | HS4-4Y | 2-200 |

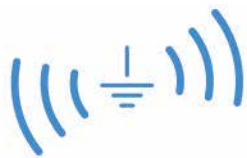
CONEXION DE CABLE DE PASO A SUPERFICIE DE ACERO HORIZONTAL

HT



Cable Despegado de la Superficie

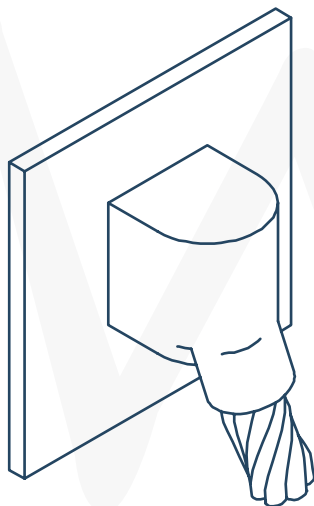
| CABLE | MOLDE | CARGA |
|-------|--------|--------|
| 1/0 | HT3-2C | 90 |
| 2/0 | HT3-2G | 115 |
| 3/0 | HT3-2L | 115 |
| 4/0 | HT3-2Q | 150 |
| 250 | HT3-2V | 150 |
| 300 | HT3-3A | 200 |
| 350 | HT3-3D | 250 |
| 500 | HT4-3Q | 2- 150 |



RADIO FRECUENCIA Y PUESTA A TIERRA, S.A. DE C.V.

CONEXION CABLE A SUPERFICIE VERTICAL DE ACERO, CONEXION DE CABLE A 45° A SUPERFICIE DE ACERO VERTICAL

VS



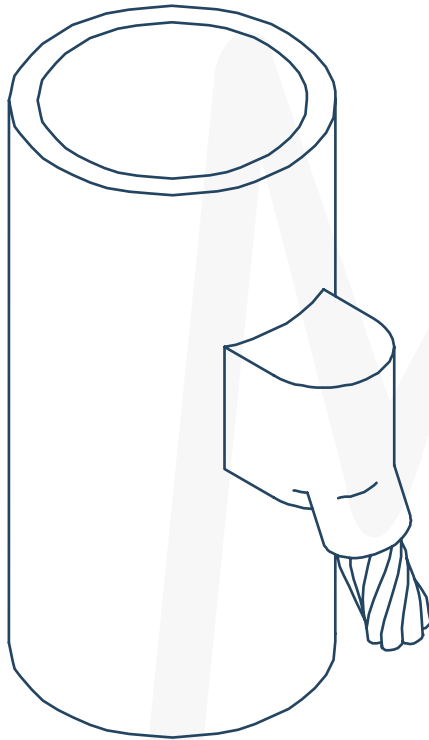
| CABLE | MOLDE | CARGA |
|--------|---------|-------|
| 6* | VS3-1H | 45 |
| 4 | VS3-1L | 45 |
| 2 Alam | VS3-1T | 45 |
| 2 | VS3-1V | 45 |
| 1 | VS3-1Y | 65 |
| <hr/> | | |
| 1/0 | VS3-2C | 90 |
| 2/0 | VS3-2G | 90 |
| 3/0 | VS3-2L | 115 |
| 4/0 | VS3-2Q | 115 |
| <hr/> | | |
| 250 | VS3-2V | 115 |
| 300 | VS3-3A | 150 |
| 350 | VSC3-3D | 200 |
| <hr/> | | |
| 500 | VS3-3Q | 200 |
| 750 | VS4-4L | 2-150 |
| 1000 | VS4-4Y | 2-200 |



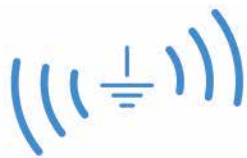
RADIO FRECUENCIA Y PUESTA A TIERRA, S.A. DE C.V.

CONEXION CABLE A TUBO DE ACERO VERTICAL, CONEXION DE CABLE A 45° A TUBO DE ACERO VERTICAL EN DIFERENTES RANGOS

VS



| CONDUCTOR | Ø NOMINAL TUBO | MOLDE | CARGA |
|-----------|-------------------|-------------|-------|
| 4 | 1 ½" a 4" | VS3-1L-V3C | 45 |
| | 4" a 6" | VS3-1L-V5C | 45 |
| | 6" a 10" | VS3-1L-V8C | 45 |
| | 12" a 30" | VS3-1L-V21C | 45 |
| | 32" o más | VS3-1L | 45 |
| 2 Alam | 1 ½" a 4" | VS3-1T-V3C | 45 |
| | 4" a 6" | VS3-1T-V5C | 45 |
| | 6" a 10" | VS3-1T-V8C | 45 |
| | 12" a 30" | VS3-1T-V21C | 45 |
| | 32" o más | VS3-1T | 45 |
| 2 | 1 ½" a 4" | VS3-1V-V3C | 45 |
| | 4" a 6" | VS3-1V-V5C | 45 |
| | 6" a 10" | VS3-1V-V8C | 45 |
| | 12" a 30" | VS3-1V-V21C | 45 |
| | 32" o más | VS3-1V | 45 |
| 1 | 2" a 4" | VS3-1Y-V3C | 65 |
| | 4" a 6" | VS3-1Y-V5C | 65 |
| | 6" a 10" | VS3-1Y-V8C | 65 |
| | 12" a 30" | VS3-1Y-V21C | 65 |
| | 32" o más | VS3-1Y | 65 |
| 1/0 | 2" a 4" | VS3-2C-V3C | 90 |
| | 4" a 6" | VS3-2C-V5C | 90 |
| | 6" a 10" | VS3-2C-V8C | 90 |
| | 12" a 30" | VS3-2C-V21C | 90 |
| | 32" o más | VS3-2C | 90 |
| 2/0 | 2" a 4" | VS3-2G-V3C | 90 |
| | 4" a 6" | VS3-2G-V5C | 90 |
| | 6" a 10" | VS3-2G-V8C | 90 |
| | 12" a 30" | VS3-2G-V21C | 90 |
| | 32" o más | VS3-2G | 90 |
| 3/0 | 2" a 4" | VS3-2L-V3C | 115 |
| | 4" a 6" | VS3-2L-V5C | 115 |
| | 6" a 10" | VSV-2L-V8C | 115 |
| | 12" a 30" | VS3-2L-V21C | 115 |
| | 32" o más | VS3-2L | 115 |
| 4/0 | 2" a 4" | VS3-2Q-V3C | 115 |
| | 4" a 6" | VS3-2Q-V5C | 115 |
| | 6" a 10" | VS3-2Q-V8C | 115 |
| | 12" a 30" | VS3-2Q-V21C | 115 |
| | 32" o más | VS3-2Q | 115 |



RADIO FRECUENCIA Y PUESTA A TIERRA, S.A. DE C.V.

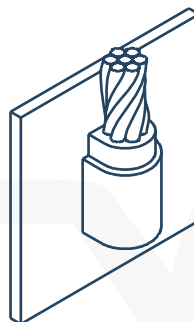
CONEXION CABLE A SUPERFICIE DE ACERO VERTICAL, CONEXION DE CABLE VERTICAL A SUPERFICIE DE ACERO VERTICAL

VB



| CABLE | MOLDE | CARGA |
|--------|---------|-------|
| 4 | VB3-1L | 65 |
| 2 Alam | VB3-1T | 65 |
| 2 | VB3-1V | 65 |
| 1 | VB3-1Y | 90 |
| 1/0 | VB3-2C | 115 |
| 2/0 | VB3-2G | 115 |
| 3/0 | VB3-2L | 150 |
| 4/0 | VB3-2Q | 150 |
| 250 | VB3-2V | 200 |
| 300 | VB3-3A | 200 |
| 350 | VB3-3D | 250 |
| 500 | VB19-3Q | 2-150 |

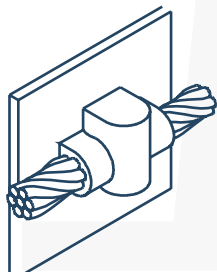
VF



| CABLE | MOLDE | CARGA |
|--------|---------|-------|
| 4 | VF3-1L | 65 |
| 2 Alam | VF3-1T | 65 |
| 2 | VF3-1V | 65 |
| 1 | VF3-1Y | 90 |
| 1/0 | VF3-2C | 150 |
| 2/0 | VF3-2G | 150 |
| 3/0 | VF19-2L | 200 |
| 4/0 | VF19-2Q | 200 |
| 250 | VF19-2V | 200 |
| 300 | VF19-3A | 250 |
| 350 | VFF-3D | 2-150 |
| 500 | VF6-3Q | 2-200 |

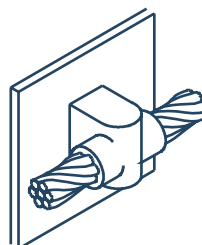
CONEXION CABLE A SUPERFICIE DE ACERO VERTICAL, CONEXION DE CABLE HORIZONTAL A SUPERFICIE DE ACERO VERTICAL

VG



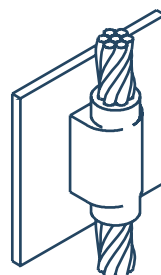
| CABLE | MOLDE | CARGA |
|--------|--------|-------|
| 6* | VG31H | 45 |
| 4 | VG3-1L | 45 |
| 2 Alam | VG3-1T | 45 |
| 2 | VG3-1V | 45 |
| 1 | VG3-1Y | 65 |
| 1/0 | VG3-2C | 115 |
| 2/0 | VG3-2G | 115 |
| 3/0 | VG3-2L | 150 |
| 4/0 | VG3-2Q | 150 |
| 250 | VG3-2V | 150 |

VT



| CABLE | MOLDE | CARGA |
|--------|--------|-------|
| 6* | VT3-1H | 65 |
| 4 | VT3-1L | 65 |
| 2 Alam | VT3-1T | 65 |
| 2 | VT3-1V | 65 |
| 1 | VT3-1Y | 90 |
| 1/0 | VT3-2C | 115 |
| 2/0 | VT3-2G | 115 |
| 3/0 | VT3-2L | 150 |
| 4/0 | VT3-2Q | 150 |
| 250 | VT3-2V | 150 |

VV



| CABLE | MOLDE | CARGA |
|--------|---------|-------|
| 6* | VV3-1H | 90 |
| 4 | VV3-1L | 90 |
| 2 Alam | VV3-1T | 115 |
| 2 | VV3-1V | 115 |
| 1 | VV3-1Y | 115 |
| 1/0 | VV19-2C | 200 |
| 2/0 | VV19-2G | 200 |
| 3/0 | VV19-2L | 250 |
| 4/0 | VV19-2Q | 250 |
| 250 | VV19-2V | 250 |

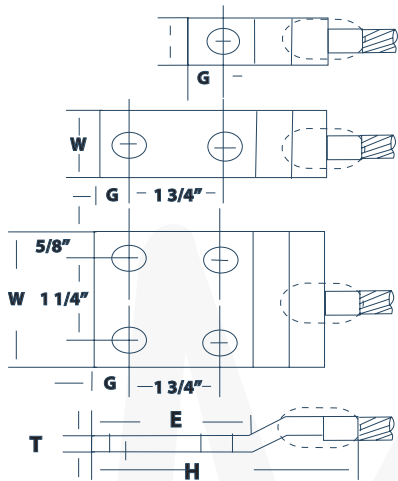


RADIO FRECUENCIA Y PUESTA A TIERRA, S.A. DE C.V.

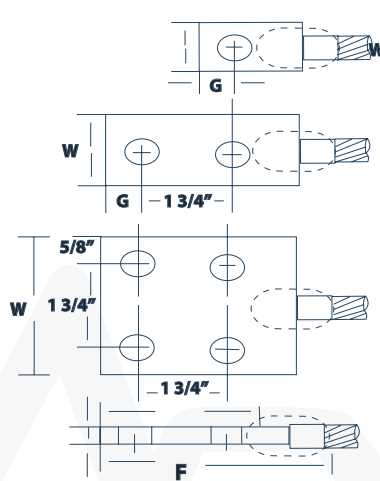
CONEXION ZAPATAS TIPO NEMA, ZAPATAS PARA CONEXIONES TIPO LA

LA

Zapata tipo Bayoneta

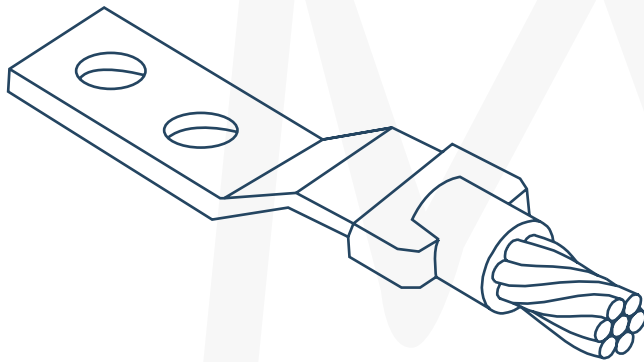


Zapata Recta

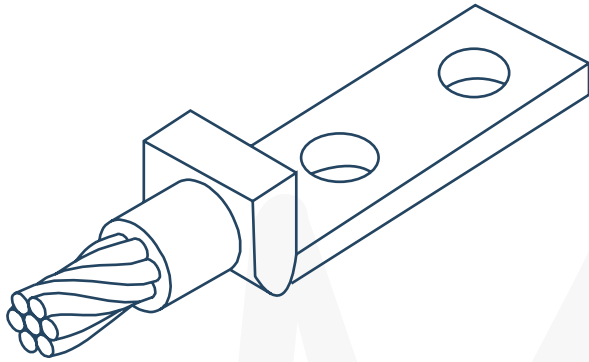


| TAMAÑO DE ZAPATA | No. DE BARRENOS | TAMAÑO DE TORNILLO | TIPO Y CLAVE DE ZAPATA | | | DIMENSIONES EN In | | | | | EQUIV. EN NOM |
|------------------|-----------------|--------------------|------------------------|-------------|-------|-------------------|-------|--------|--------|--------|---------------|
| | | | PLANA | BAYONETA | TW | GE | F* | H* | | | |
| 1/8" x 1" | 1 | 3/8" | B-101-CE | B-101-CE-OL | 1/8" | 1" | 1/2" | 7/8" | 2-3/8" | 3-1/8" | 159 |
| | 2 | 1/2" | B-102-CE | B-102-CE-OL | 1/8" | 1" | 5/8" | 3" | 4-1/2" | 5-1/4" | 159 |
| 3/16" x 1" | 1 | 1/2" | B-101-DE | B-101-DE-OL | 3/16" | 1" | 9/16" | 1-1/2" | 2-7/8" | 3-5/8" | 239 |
| | 2 | 1/2" | B-102-DE | B-102-DE-OL | 3/16" | 1" | 5/8" | 3" | 4-3/4" | 5-1/2" | 239 |
| | 2** | 3/8" | | B-103 DE-OL | 3/16" | 1" | 7/16" | 1-7/8" | | 4-3/8" | 239 |
| 14" x 1" | 1 | 1/2" | B-101-EE | B-101-EE-OL | 1/4" | 1" | 5/8" | 1-1/8" | 3" | 3-5/8" | 318 |
| | 2 | 1/2" | B-102-EE | B-102-EE-OL | 1/4" | 1" | 5/8" | 3" | 4-7/8" | 5-5/8" | 318 |
| 1/4" x 1-1/2" | 1 | 5/8" | B-101-EG | B-101-EG-OL | 1/4" | 1-1/2" | 3/4" | 1-1/2" | 3" | 4-1/8" | 478 |
| | 2 | 1/2" | B-102-EG | B-102-EG-OL | 1/4" | 1-1/2" | 5/8" | 3" | 4-4/8" | 5-5/8" | 478 |
| 1/4" x 2" | 2 | 1/2" | B-102-EH | B-102-EH-OL | 1/4" | 2" | 5/8" | 3" | 5-1/4" | 6" | 673 |
| 3/8" x 1-1/2" | 1 | 5/8" | B-101-GG | B-101-GG-OL | 3/8" | 1-1/2" | 3/4" | 1-1/2" | 3-3/4" | 4-3/4" | 716 |
| | 2 | 1/2" | B-102-GG | B-102-GG-OL | 3/8" | 1-1/2" | 5/8" | 3" | 5-3/4" | 7" | 716 |
| 3/8" x 2" | 1 | 5/8" | B-101-GH | B-101-GH-OL | 3/8" | 2" | 1" | 2-1/8" | 4-3/8" | 5-5/8" | 955 |
| | 2 | 1/2" | B-102-GH | B-102-GH-OL | 3/8" | 2" | 5/8" | 3" | 5-3/4" | 7" | 955 |
| 1/2" x 2" | 2 | 1/2" | B-102-JH | B-102-JH-OL | 1/2" | 2" | 5/8" | 3" | 5-3/4" | 7" | 1374 |
| 1/4" x 3" | 4 | 1/2" | B-104-FK | B-104-FK-OL | 1/4" | 3" | 5/8" | 3" | 5-1/2" | 6-1/4" | 955 |
| 3/8" x 3" | 4 | 1/2" | B-104-GK | B-104-GK-OL | 3/8" | 3" | 5/8" | 3" | 6" | 7" | 1432 |
| 1/2" x 3" | 4 | 1/2" | B-104-JK | B-104-JK-OL | 1/2" | 3" | 5/8" | 3" | 6-1/4" | 7-1/4" | 1910 |

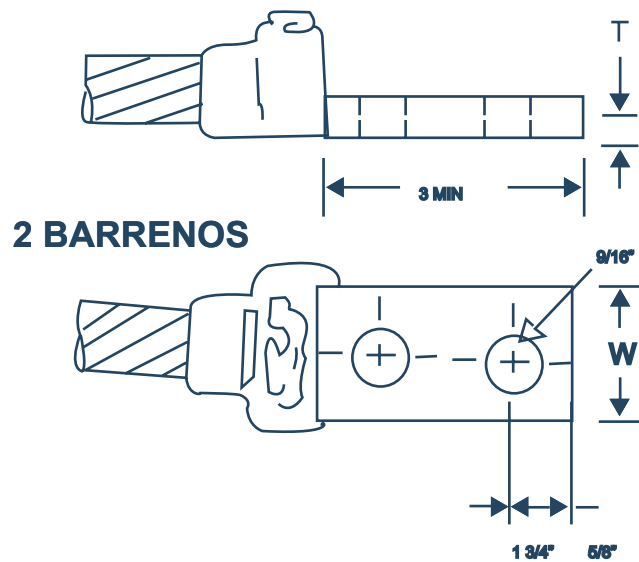
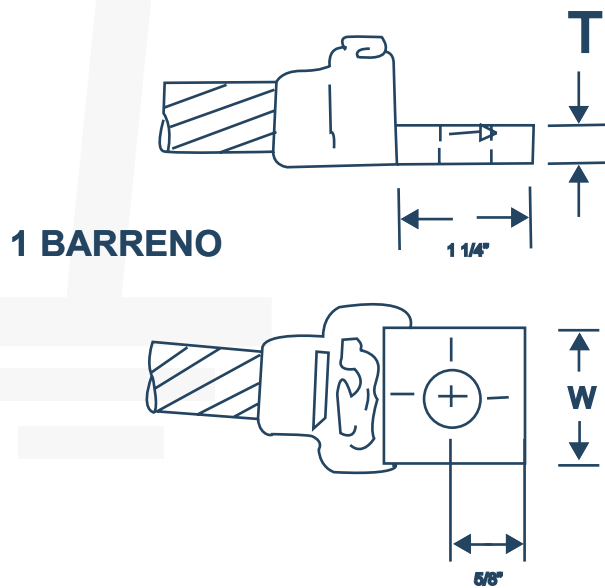
LA

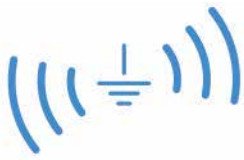


| CABLE | ZAPATA | MOLDE | CARGA |
|-----------------------|---------------|----------|-------|
| 4 2 Alam 2 1 | 1/8" x 1" | LA3-1LCE | 45 |
| | 1/8" x 1" | LA3-1TCE | 45 |
| | 1/8" x 1" | LA3-1VCE | 45 |
| | 1/8" x 1" | LA3-1YCE | 45 |
| 1/0 | 1/8" x 1" | LA3-2CCE | 45 |
| | 3/16" x 1" | LA3-2CDE | 65 |
| | 1/4" x 1" | LA3-2CEE | 65 |
| 2/0 | 1/8" x 1" | LA3-2GCE | 65 |
| | 3/16" x 1" | LA3-2GDE | 65 |
| | 1/4" x 1" | LA3-2GEE | 65 |
| 3/0 | 1/8" x 1" | LA3-2LCE | 65 |
| | 3/16" x 1" | LA3-2LDE | 90 |
| | 1/4" x 1" | LA3-2LEE | 90 |
| 4/0 | 3/16" x 1" | LA3-2QDE | 90 |
| | 1/4" x 1" | LA3-2QEE | 90 |
| | 1/4" x 1 1/2" | LA3-2QEG | 90 |
| | 1/4" x 2" | LA3-2QEH | 90 |
| | 1/4" x 3" | LA3-2QEK | 90 |
| 250 | 3/16" x 1" | LA3-2VDE | 90 |
| | 1/4" x 1" | LA3-2VEE | 90 |
| | 1/4" x 1 1/2" | LA3-2VEG | 90 |
| | 1/4" x 2" | LA3-2VEH | 90 |
| | 1/4" x 3" | LA3-2VEK | 90 |
| 300 | 1/4" x 1" | LA3-3AEE | 90 |
| | 1/4" x 1 1/2" | LA3-3AEG | 90 |
| | 1/4" x 2" | LA3-3AEH | 90 |
| | 1/4" x 3" | LA3-3AEK | 90 |
| 350 | 1/4" x 1" | LA3-3DEE | 115 |
| | 1/4" x 1 1/2" | LA3-3DEG | 115 |
| | 1/4" x 2" | LA3-3DEH | 115 |
| | 1/4" x 3" | LA3-3DEK | 115 |
| 500 | 1/4" x 1" | LA3-3QEG | 200 |
| | 1/4" x 1 1/2" | LA3-3QEM | 200 |
| | 1/4" x 3" | LA3-3QEK | 200 |
| | 3/8" x 1/2" | LA3-3QGG | 200 |
| 750 | 1/4" x 2" | LA4-4LEH | 2-150 |
| | 1/4" x 3" | LA4-4LEK | 2-150 |
| | 3/8" x 1 1/2" | LA4-4LGG | 2-150 |
| | 3/8" x 2" | LA4-4LGH | 2-150 |
| | 3/8" x 3" | LA4-4LGK | 2-150 |
| 1000 | 1/4" x 3" | LA4-4YEK | 2-200 |
| | 3/8" x 2" | LA4-4YGH | 2-200 |
| | 3/8" x 3" | LA4-4YGK | 2-200 |
| | 1/2" x 2" | LA4-4YJH | 2-250 |
| | 1/2" x 3" | LA4-4YJK | 2-250 |



| CABLE | DIMENSIONES DE LA ZAPATA T x W | TIPO Y CLAVE DE ZAPATA | | MOLDE | CARGA |
|--------|--------------------------------|------------------------|------------|----------|-------|
| | | 1 BARRENO | 2 BARRENOS | | |
| 4 | 1/8" x 1" | B-121-CE | B-122-CE | GLC-CE1L | 32 |
| 2 Alam | 1/8" x 1" | B-121-CE | B-122-CE | GLC-CE1T | 32 |
| 2 | 1/8" x 1" | B-121-CE | B-122-CE | GLC-CE1V | 32 |
| 1 | 1/8" x 1" | B-121-CE | B-122-CE | GLC-CE1Y | 32 |
| 1/0 | 1/8" x 1" | B-121-CE | B-122-CE | GLC-CE2C | 45 |
| 2/0 | 1/8" x 1" | B-121-CE | B-122-CE | GLC-CE2G | 45 |
| 3/0 | 1/8" x 1" | B-121-CE | B-122-CE | GLC-CE2L | 65 |
| 4/0 | 3/16" x 1" | B-121-DE | B-122-DE | GLC-DE2Q | 65 |
| 4/0 | 1/8" x 1" | B-121-CE | B-122-CE | GLC-CE2Q | 65 |
| 250 | 3/16" x 1" | B-121-DE | B-122-DE | GLC-DE2V | 65 |
| 300 | 1/4" x 1" | B-121-EE | B-122-EE | GLC-EE3A | 90 |
| 350 | 1/4" x 1" | B-121-EE | B-122-EE | GLC-EE3D | 90 |
| 500 | 1/4" x 1 1/2" | B-121-EG | B-122-EG | GLC-EG3Q | 150 |





RADIO FRECUENCIA Y PUESTA A TIERRA, S.A. DE C.V.

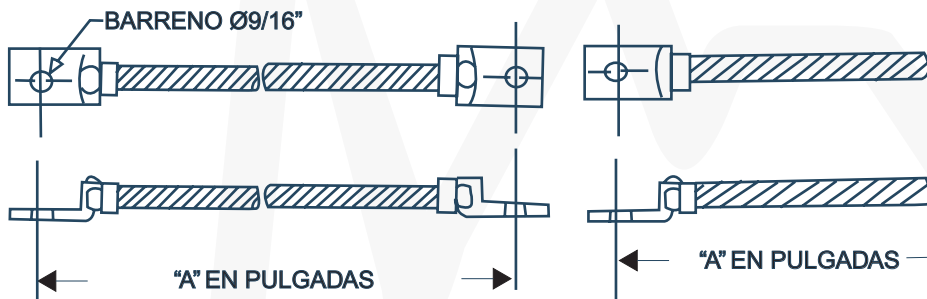
GL

PUENTES CON ZAPATAS PREFABRICADOS

INDICA LA LONGITUD DEL PUENTE EN PULGADAS



ZAPATA A UNO O DOS BARRENOS



PUENTE CON DOS ZAPATAS

PUNTA TERMINAL CON UNA ZAPATA



ZAPATA PLANA O A CON DOS BARRENOS CON ESPECIFICACION NE

| CABLE CALIBRE | HILOS | DIMENSIONES DE LA ZAPATA | NO. DE CATALOGO DEL PUENTE CON DOS ZAPATAS | | | |
|---------------|-------|--------------------------|--|------------|---------------|---------------|
| | | | 1 BARRENO | 2 BARRENOS | 45° 1 BARRENO | 45° 2 BARRENO |
| 4 | 7 | 1/8" x 1" | B-212-1L-A | B-213-1L-A | B-214-1L-A | B-215-1L-A |
| 2 | 7 | 1/8" x 1" | B-212-1V-A | B-213-1V-A | B-214-1V-A | B-215-1V-A |
| 1 | 7 | 1/8" x 1" | B-212-1Y-A | B-213-1Y-A | B-214-1Y-A | B-215-1Y-A |
| 1/0 | 7 | 1/8" x 1" | B-212-2C-A | B-213-2C-A | B-214-2C-A | B-215-2C-A |
| 2/0 | 7 | 1/8" x 1" | B-212-2G-A | B-213-2G-A | B-214-2G-A | B-215-2G-A |
| 4/0 | 7 | 3/16" x 1" | B-212-2Q-A | B-213-2Q-A | B-214-2Q-A | B-215-2Q-A |
| 250 | 19 | 3/16" x 1" | B-212-2V-A | B-213-2V-A | B-214-2V-A | B-215-2V-A |

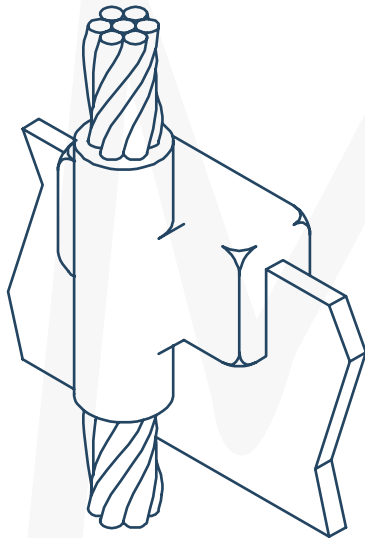
| CABLE CALIBRE | HILOS | DIMENSIONES DE LA ZAPATA | NO. DE CATALOGO DEL PUENTE CON DOS ZAPATAS | | | |
|---------------|-------|--------------------------|--|------------|---------------|---------------|
| | | | 1 BARRENO | 2 BARRENOS | 45° 1 BARRENO | 45° 2 BARRENO |
| 4 | 7 | 1/8" x 1" | B-216-1L-A | B-217-1L-A | B-218-1L-A | B-219-1L-A |
| 2 | 7 | 1/8" x 1" | B-216-1V-A | B-217-1V-A | B-218-1V-A | B-219-1V-A |
| 1 | 7 | 1/8" x 1" | B-216-1Y-A | B-217-1Y-A | B-218-1Y-A | B-219-1Y-A |
| 1/0 | 7 | 1/8" x 1" | B-216-2C-A | B-217-2C-A | B-218-2C-A | B-219-2C-A |
| 2/0 | 7 | 1/8" x 1" | B-216-2G-A | B-217-2G-A | B-218-2G-A | B-219-2G-A |
| 4/0 | 7 | 3/16" x 1" | B-216-2Q-A | B-217-2Q-A | B-218-2Q-A | B-219-2Q-A |
| 250 | 19 | 3/16" x 1" | B-216-2V-A | B-217-2V-A | B-218-2V-A | B-219-2V-A |



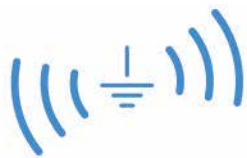
RADIO FRECUENCIA Y PUESTA A TIERRA, S.A. DE C.V.

CONEXION CABLE A BUS DE COBRE, CONEXION DE CABLE VERTICAL A BUS DE COBRE HORIZONTAL

LQ

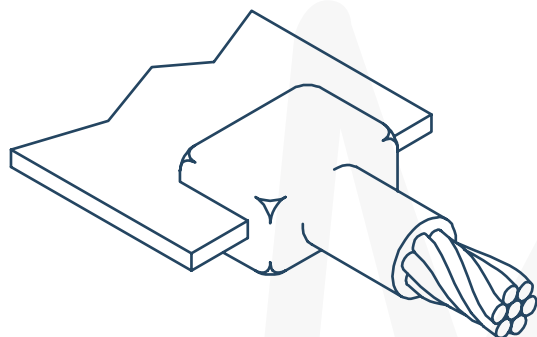


| BUS | CABLE | MOLDE | CARGA |
|--------------------|--------------------|-----------|----------|
| 1/2" x 2" o más | 2 | LQ10-JH1V | 2-150 |
| | 2 Alam. | LQ10-JH1T | 2-150 |
| | 1 | LQ10-JH1Y | 2-200 |
| | 1/0 | LQ10-JH2C | 2-250 |
| | 2/0 | LQ10-JH2G | 2-250 |
| | 4/0 | LQ10-JH2Q | 3-200 |
| | 250 | LQ10-JH2V | 3-200 |
| | 500 | LQ10-JH3Q | 3-200 |
| | 750 | LQ10-JH4L | 3-250 |
| | 1/4" x 2" o más | 2 | LQ5-EH1V |
| 2 Alam. | | LQ5-EH1T | 250 |
| 1 | | LQ10-EH1Y | 2-150 |
| 1/0 | | LQ10-EH2C | 2-200 |
| 2/0 | | LQ10-EH2G | 2-200 |
| 4/0 | | LQ10-EH2Q | 2-250 |
| 250 | | LQ10-EH2V | 2-250 |
| 500 | | LQ10-EH3Q | 2-250 |
| 750 | | LQ10-EH4L | 3-250 |
| 3/8" x 2" o más | | 2 | LQ5-GH1V |
| | 2 Alam. | LQ5-GH1T | 250 |
| | 1 | LQ10-GH1Y | 2-150 |
| | 1/0 | LQ10-GH2C | 2-200 |
| | 2/0 | LQ10-GH2G | 2-200 |
| | 4/0 | LQ10-GH2Q | 2-250 |
| | 250 | LQ10-GH2V | 2-250 |
| | 500 | LQ10-GH3Q | 2-250 |
| | 750 | LQ10-GH4L | 3-200 |



RADIO FRECUENCIA Y PUESTA A TIERRA, S.A. DE C.V.

CONEXION CABLE A BUS DE COBRE, CONEXION DE CABLE HORIZONTAL A BUS DE COBRE HORIZONTAL



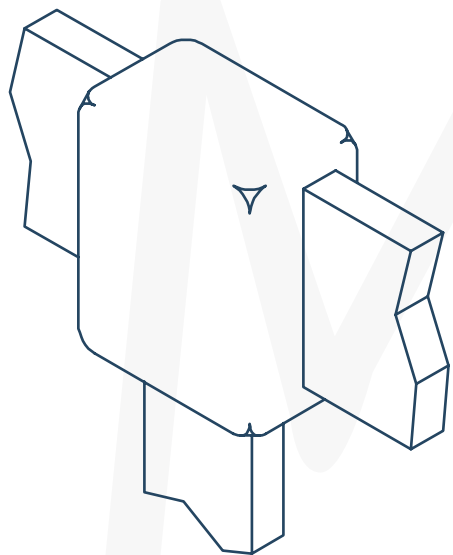
| BUS | CABLE | MOLDE | CARGA | SEPARACION MINIMA C |
|------------------------|---------|----------|-------|---------------------|
| 1/4" x 2" o más | 2 | LJ3-EG1T | 65 | 1-3/4" |
| | 2 Alam. | LJ3-EG1V | 65 | 1-3/4" |
| | 1/0 | LJ3-EG2C | 90 | 1-3/4" |
| | 2/0 | LJ3-EG2G | 90 | 1-3/4" |
| | 3/0 | LJ3-EG2L | 90 | 1-3/4" |
| | 4/0 | LJ3-EG2Q | 90 | 1-3/4" |
| | 250 | LJ3-EG2V | 115 | 2" |
| | 300 | LJ3-EG3A | 115 | 2" |
| | 350 | LJ3-EG3D | 150 | 2" |
| | 500 | LJ3-EG3Q | 200 | 2" |
| 3/8" x 2" o más | 2 | LJ3-GG1T | 65 | 1-3/4" |
| | 2 Alam | LJ3-GG1V | 65 | 1-3/4" |
| | 1/0 | LJ3-GG2C | 90 | 1-3/4" |
| | 2/0 | LJ3-GG2G | 90 | 1-3/4" |
| | 3/0 | LJ3-GG2L | 115 | 1-3/4" |
| | 4/0 | LJ3-GG2Q | 115 | 1-3/4" |
| | 250 | LJ3-GG2V | 150 | 1-3/4" |
| | 300 | LJ3-GG3A | 150 | 2" |
| | 350 | LJ3-GG3D | 200 | 2" |
| | 500 | LJ3-GG3Q | 250 | 2-1/4" |
| 1/2" x 1-1/2" o más | 2 | LJ3-JG1T | 90 | 1-3/4" |
| | 2 Alam. | LJ3-JG1V | 90 | 1-3/4" |
| | 1/0 | LJ3-JG2C | 115 | 1-3/4" |
| | 2/0 | LJ3-JG2G | 115 | 1-3/4" |
| | 3/0 | LJ3-JG2L | 150 | 1-3/4" |
| | 4/0 | LJ3-JG2Q | 150 | 1-3/4" |
| | 250 | LJ3-JG2V | 200 | 1-3/4" |
| | 300 | LJ3-JG3A | 200 | 1-3/4" |
| | 350 | LJ3-JG3D | 250 | 2-1/8" |
| | 500 | LJ4-JG3Q | 2-150 | 2-1/2" |
| 1/2" x 1-1/2" o más | 750 | LJ4-JG4L | 2-200 | 2-1/2" |
| | 1000 | LJ4-JG4Y | 2-250 | 2-9/16" |



RADIO FRECUENCIA Y PUESTA A TIERRA, S.A. DE C.V.

CONEXION BUS DE COBRE, CONEXION EN "T" DE BUS DE COBRE

BQ

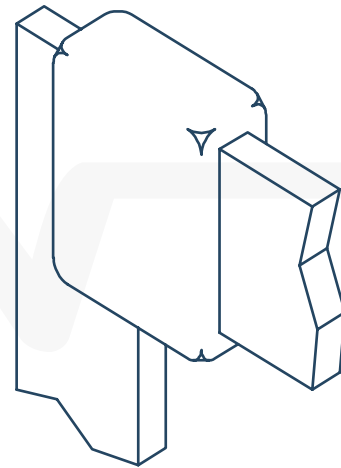
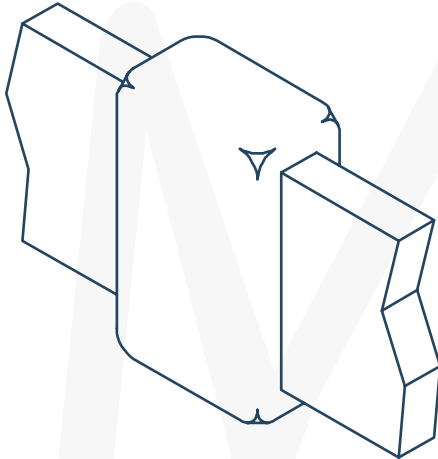


| DE PASO | | BUS DERIVACION | MOLDE | CARGA |
|---------|------------|-------------------|------------|-------|
| 1/8" | x 1" | 1/8" x 1" | BQ3-CECE | 90 |
| | x 2" o más | 1/8" x 2" | BQ3-CHCH | 200 |
| 3/16" | x 1" | 3/16" x 1" | BQ3-DEDE | 115 |
| | x 2" o más | 3/16" x 2" | BQ3-DHDH | 200 |
| 1/4" | x 1" | 1/4" x 1" | BQ3-EEEE | 150 |
| | x 1 1/4" | 1/4" x 1 1/4" | BQ3-EFEF | 200 |
| | x 1 1/2" | 1/4" x 1 1/2" | BQ3-EGEG | 250 |
| | x 2" o más | 1/4" x 2" | BQ4-EHEH | 2-200 |
| | x 3" o más | 1/4" x 3" | BQ6-EKEK | 2-200 |
| | x 4" o más | 1/4" x 4" | BQ11-EMEM* | 3-250 |
| 3/8" | x 1" | 3/8" x 1" | BQ3-GEGE | 250 |
| | x 1 1/2" | 3/8" x 1 1/2" | BQ4-GGGG | 2-200 |
| | x 2" o más | 3/8" x 2" | BQ4-GHGH | 2-250 |
| | x 3" o más | 3/8" x 3" | BQ6-GK GK | 3-250 |
| | x 4" o más | 3/8" x 4" | BQ11-GMGM* | 4-250 |
| 1/2" | x 1" | 1/2" x 1" | BQ4-JEJE | 2-150 |
| | x 2" o más | 1/2" x 2" | BQ4-JHJH | 3-250 |



BA

EP



| BUS | MOLDE | CARGA |
|-------|-----------|--------------|
| 1/8" | x 1" | BA3-CE 45 |
| | x 1-1/2" | BA3-CG 65 |
| | x 2" | BA3-CH 90 |
| | x 3" | BA3-CK 200 |
| | x 4" | BA4-CM 250 |
| 3/16" | x 1" | BA3-DE 65 |
| | x 2" | BA3-DH 115 |
| 1/4" | x 1" | BA3-EE 90 |
| | x 1- 1/4" | BA3-EF 115 |
| | x 1 -1/2" | BA3-EG 150 |
| | x 2" | BA3-EH 200 |
| | x 2-1/2" | BA3-EJ 250 |
| | x 3" | BA4-EK 2-200 |
| | x 4' | BA4-EM 2-250 |
| 3/8" | x 1" | BA3-GE 150 |
| | x 1 1/2" | BA3-GG 250 |
| | x 2" | BA4-GH 2-150 |
| | x 3" | BA4-GK 2-250 |
| | x 4" | BA4-GM 3-200 |
| 1/2" | x1" | BA3-JE 200 |
| | x 2" | BA4-JH 2-200 |

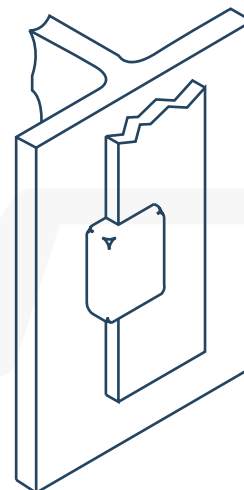
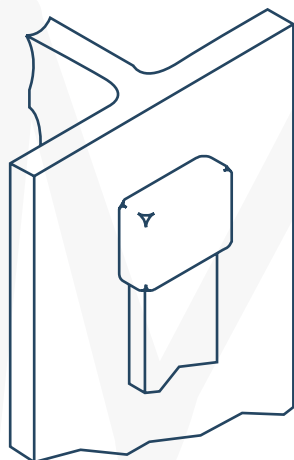
| BUS | MOLDE | CARGA |
|-------|-----------|--------------|
| 1/8" | x 1" | EP3-CE 45 |
| | x 1-1/2" | EP3-CG 65 |
| | x 2" | EP3-CH 90 |
| | x 3" | EP3-CK 200 |
| | x 4" | EP4-CM 250 |
| 3/16" | x 1" | EP3-DE 65 |
| | x 2" | EP3-DH 115 |
| 1/4" | x 1" | EP3-EE 90 |
| | x 1- 1/4" | EP3-EF 115 |
| | x 1 -1/2" | EP3-EG 150 |
| | x 2" | EP3-EH 200 |
| | x 2-1/2" | EP3-EJ 250 |
| | x 3" | EP4-EK 2-200 |
| | x 4' | EP4-EM 500 |
| 3/8" | x 1" | EP3-GE 150 |
| | x 1 1/2" | EP3-GG 250 |
| | x 2" | EP4-GH 2-150 |
| | x 3" | EP4-GK 500 |
| | x 4" | EP4-GM 3-200 |
| 1/2" | x1" | EP3-JE 200 |
| | x 2" | EP4-JH 2-200 |



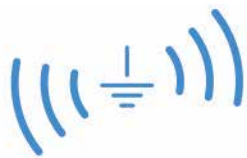
CONEXION BUS DE COBRE A SUPERFICIE DE ACERO, CONEXION DE BUS DE COBRE A SUPERFICIE PLANA DE ACERO

BW

CF



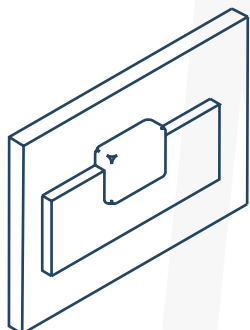
| BUS | MOLDE | | CARGA | |
|-------|------------|--------|--------|-------|
| | BW | CF | | |
| 1/8" | x 1" | BW3-CE | CF3-CE | 115 |
| | x 1-1/2" | BW3-CG | CF3-CG | 150 |
| | x 2" | BW3-CH | — | 200 |
| | x 2' o más | — | CF3-CH | 200 |
| 3/16" | x 1" | BW3-DE | CF3-DE | 150 |
| | x 1-1/2" | BW3-DG | CF3-DG | 200 |
| | x 2" | BW3-EH | — | 250 |
| | x 2' o más | — | CF3-DH | 250 |
| 1/4" | x 1" | BW3-EE | CF3-EE | 150 |
| | x 1-1/4" | BW3-EF | CF3-EF | 200 |
| | x 1-1/2" | BW3-EG | CF3-EG | 250 |
| | x 2" | BW4-EH | — | 2-150 |
| | x 2' o más | — | CF4-EH | 2-150 |
| 3/8" | x 1" | BW3-GE | FC3-GE | 200 |
| | x 1-1/2" | BW3-GG | CF3-GG | 250 |
| | x 2" | BW3-GH | — | 2-200 |
| | x 2' o más | — | CF3-GH | 2-200 |
| 1/2" | 1/2" x 1" | BW3-JE | CF3-JE | 250 |
| | x 1-1/2" | BW4-JG | CF4-JG | 2-200 |
| | x 2" | BW4-JH | — | 2-250 |
| | x 2' o más | — | CF4-JH | 2-250 |



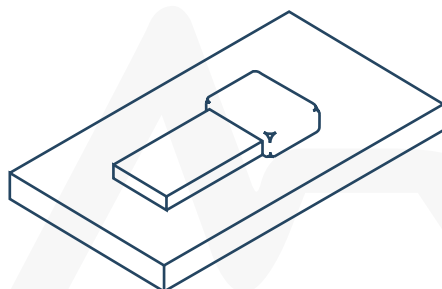
RADIO FRECUENCIA Y PUESTA A TIERRA, S.A. DE C.V.

CONEXION DE BUS DE COBRE A SUPERFICIE DE ACERO

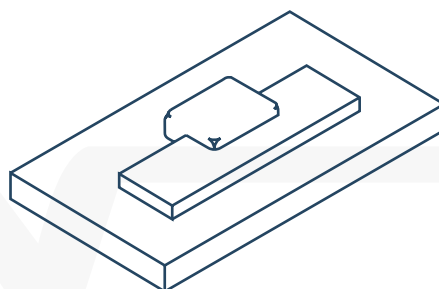
CC



CG



CH



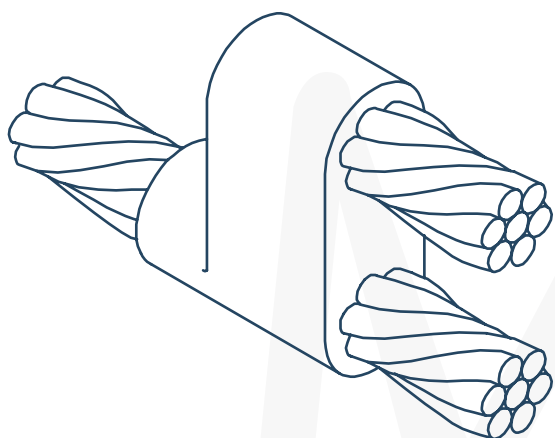
| BUS | MOLDE | | | CARGA | |
|------------|----------------|--------|--------|--------|-------|
| | CC | CG | CH | | |
| 1/8" | x 1" | CC3-CE | CG3-CE | CH3-CE | 115 |
| | x 1-1/2" | CC3-CG | CG3-CG | — | 150 |
| | x 1-1/2" o mas | — | — | CH3-CG | 150 |
| | x 2" | — | CG3-CH | — | 200 |
| | x 2" o más | CC3-CH | — | — | 200 |
| 3/16" | x 1" | CC3-DE | CG3-DE | CF3-DE | 150 |
| | x 1-1/2" | CC3-DG | CG3-DG | — | 200 |
| | x 1-1/2" o mas | — | — | CH3-DG | 200 |
| | x 2" | — | CG3-DH | — | 250 |
| | x 2" o más | CC3-DH | — | — | 250 |
| 1/4" | x 1" | CC3-EE | CG3-EE | CH3-EE | 150 |
| | x 1-1/4" | CC3-EF | CG3-EF | CH3-EF | 200 |
| | x 1-1/2" | CC3-EG | — | — | 250 |
| | x 1-1/2" o mas | — | — | CH3-EG | 250 |
| | x 2" | — | CG4-EH | — | 2-150 |
| x 2" o más | CC4-EH | — | — | 2-150 | |
| 3/8" | x 1" | CC3-GE | CG3-GE | CH3-GE | 200 |
| | x 1-1/2" | CC3-GG | CG3-GG | — | 250 |
| | x 1-1/2" o mas | — | — | CH3-GG | 250 |
| | x 2" | — | CG4-GH | — | 2-200 |
| | x 2" o más | CC4-GH | — | — | 2-200 |
| 1/2" | 1/2" x 1" | CC3-JE | CG3-JE | CH3-JE | 250 |
| | x 1-1/2" | CC4-JG | CG4-JG | — | 2-200 |
| | x 1-1/2" o mas | — | — | CH4-JG | 2-200 |
| | x 2" | — | CG4-JH | — | 500 |
| | x 2" o más | BW4-JH | — | — | 500 |



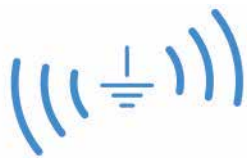
RADIO FRECUENCIA Y PUESTA A TIERRA, S.A. DE C.V.

CONEXION CON DERIVACION EN PARALELO

PC



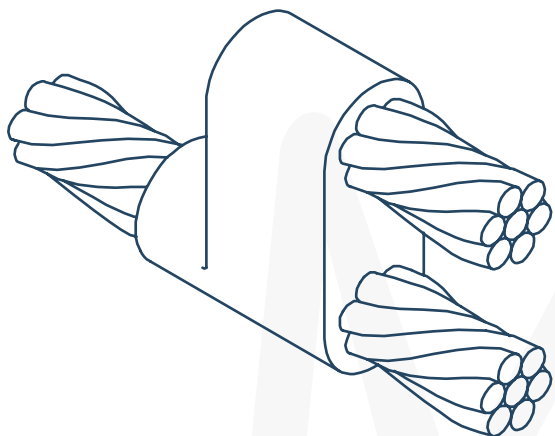
| DE PASO | DERIVACION | MOLDE | CARGA |
|---------|------------|----------|-------|
| 6 Alam | 6 Alam | PC3-1G1G | 25 |
| 6 | 6 | PC3-1H1H | 25 |
| 4 | 4 | PC3-1L1L | 32 |
| | 6 | PC3-1LH1 | 32 |
| | 6 Alam | PC3-1L1G | 32 |
| | 8 | PC3-1L1E | 32 |
| | 8 Alam | PC3-1L1D | 32 |
| 2 Alam | 6 Alam | PC3-1T1G | 32 |
| | 6 | PC3-1T1H | 32 |
| | 2 Alam | PC3-1T1T | 65 |
| | 2 | PC3-1T1V | 65 |
| | 1/0 | PC3-1T2C | 65 |
| | 2/0 | PC3-1T2G | 65 |
| 2 | 2 | PC3-1V1V | 65 |
| | 4 | PC3-1V1L | 45 |
| | 6 | PC3-1V1H | 32 |
| | 6 Alam | PC3-1V1G | 32 |
| | 8 Alam | PC3-1V1D | 32 |
| 1 | 2 | PC3-1Y1Y | 65 |
| | 4 | PC3-1Y1L | 45 |
| | 6 | PC3-1Y1H | 45 |
| | 6 Alam | PC3-1Y1G | 45 |
| | 8 Alam | PC3-1Y1D | 45 |
| 1/0 | 2 | PC3-2C1V | 65 |
| | 4 | PC3-2C1L | 65 |
| | 6 | PC3-2C1H | 45 |
| | 6 Alam | PC3-2C1G | 45 |
| | 8 | PC3-2C1E | 45 |
| | 8 Alam | PC3-2C1D | 45 |
| 2/0 | 2 | PC3-2G1V | 90 |
| | 4 | PC3-2G1L | 65 |
| | 6 | PC3-2G1H | 65 |
| | 6 Alam | PC3-2G1G | 65 |
| | 8 | PC3-2G1E | 65 |
| | 8 Alam | PC3-2G1D | 65 |
| 3/0 | 6 | PC3-2L1H | 90 |
| | 6 Alam | PC3-2L1G | 90 |
| | 8 | PC3-2L1E | 90 |
| | 8 Alam | PC3-2L1D | 90 |



RADIO FRECUENCIA Y PUESTA A TIERRA, S.A. DE C.V.

CONEXIONES CON DERIVACIÓN EN PARALELO

PC



| DE PASO | DERIVACION | MOLDE | CARGA |
|---------|------------|------------|-------|
| 4/0 | 1 | PC3-2Q1Y | 115 |
| | 2 | PC3-2Q1V | 115 |
| | 4 | PC3-2Q1L | 90 |
| | 6 | PC3-2Q1H | 90 |
| | 6 Alam | PC3-2Q1G | 90 |
| | 8 | PC3-2Q1E | 90 |
| | 8 Alam | PC3-2Q1D | 90 |
| 4 | 4 | PC21-1L1L | 32 |
| | 6 | PC21-1L1H | 32 |
| | 6 Alam | PC21-1L1G | 32 |
| | 8 | PC21-1L1E | 32 |
| | 8Alam | PC21-1L1D | 32 |
| 2 Alam | 6 | PC21-1T1H | 32 |
| | 6 Alam | PC21-1T1G | 32 |
| | 8 | PC21-1T1E | 32 |
| | 8 Alam | PC21-1T1D | 32 |
| 2 | 6 | PC21-1V1H | 32 |
| | 6 Alam | PC21-1V1G | 32 |
| | 8 | PC21-1V1E | 32 |
| | 8 Alam | PC21-1V1D | 32 |
| 1 | 4 | PC3-1Y1L | 45 |
| | 6 | PC3-1Y1H | 45 |
| | 6 Alam | PC3-1Y1G | 45 |
| | 8 | PC3-1Y1E | 45 |
| | 8 Alam | PC3-1Y1DHH | 45 |



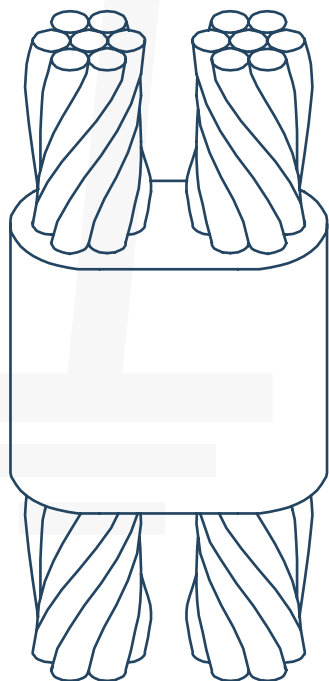
CONEXION EN PARALELO EN HORIZONTAL

PG



CONEXION EN PARALELO EN VERTICAL

PH



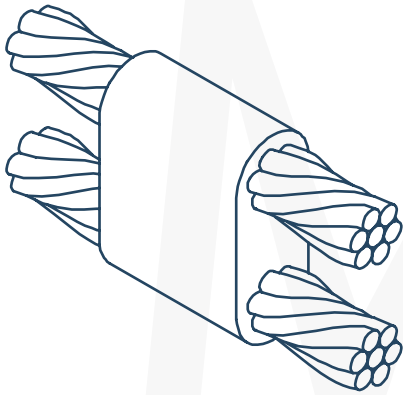
| DE PASO | DERIVACION | MOLDE | CARGA |
|-------------|---------------------------------------|--|--|
| 6 Alam 6 | 6 Alam 6 | PG21-1G1G PG21-1H1H | 25 25 |
| 8 Alam | 8 Alam | PH21-1D1D | 25 |
| 8 | 8 | PH21-1E1E | 25 |
| 6 Alam | 6 Alam | PH19-1G1G | 25 |
| 6 | 6 | PH19-1H1H | 25 |
| 4 | 4 6 6 Alam | PH19-1L1L PH19-1L1H PH19-1L1G | 65 90 45 |
| 2 Alam | 2 Alam 4 | PH19-1T1T PH19-1T1L | 115 90 |
| 2 | 2 2 Alam 4 | PH19-1V1V PH19-1V1T PH19-1V1L | 115 115 90 |
| 1 | 1 2 2 Alam 4 | PH19-1Y1Y PH19-1Y1V PH19-1Y1T PH19-1Y1L | 115 90 90 90 |
| 1/0 | 1/0 1 2 2 Alam 4 | PH19-2C2C PH19-2C1Y PH19-2C1V PH19-2C1T PH19-2C1L | 150 115 115 115 115 |
| 2/0 | 2/0 1/0 1 2 2 Alam 4 | PH19-2G2G PH19-2G2C PH19-2G1Y PH19-2G1V PH19-2G1T PH19-2G1L | 150 150 150 150 150 115 |
| 4/0 | 4/0 2/0 1/0 1 2 2 Alam | PH6-2Q2Q PH19-2Q2G PH19-2Q2C PH19-2Q1Y PH19-2Q1T PH19-2Q1V | 2-200 250 250 250 250 250 |
| 300 | 300 | PH10-3A3A | 2-200 |
| 350 | 4/0 | PH10-3D2Q | 2-200 |
| 500 | 500 | PH10-3Q3Q | 3-250 |
| 750 | 750 | PH11-4L4L1 | 4-250 |



RADIO FRECUENCIA Y PUESTA A TIERRA, S.A. DE C.V.

CONEXION EN PARALELO HORIZONTAL

PT



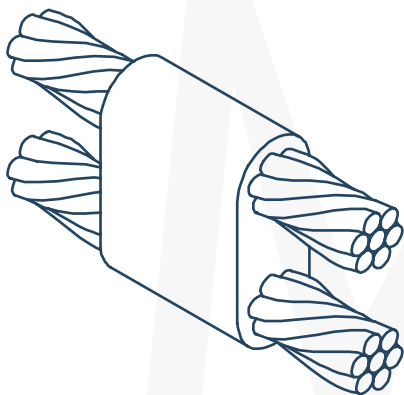
| DE PASO | DERIVACION | MOLDE | CARGA |
|----------|------------|----------|----------|
| 4 | 4 | PT3-1L1L | 32 |
| | 6 | PT3-1L1H | 32 |
| | 6 Alam | PT3-1L1G | 32 |
| | 8 | PT3-1L1E | 32 |
| | 8 Alam | PT3-1L1D | 32 |
| 2 Alam | 2 | PT3-1T1V | 65 |
| | 2 Alam | PT3-1T1T | 65 |
| | 4 | PT3-1T1L | 65 |
| | 6 | PT3-1T1H | 45 |
| | 6 Alam | PT3-1T1G | 45 |
| | 8 | PT3-1T1E | 45 |
| | 8 Alam | PT3-1T1D | 45 |
| | 2 | 2 | PT3-1V1V |
| 4 | | PT3-1V1L | 65 |
| 6 | | PT3-1V1H | 45 |
| 6 Alam | | PT3-1V1G | 45 |
| 8 | | PT3-1V1E | 45 |
| 8 Alam | | PT3-1V1D | 45 |
| 1 Alam | | 1 | PT3-1X1Y |
| | 2 | PT3-1X1V | 65 |
| | 2 Alam | PT3-1X1T | 65 |
| | 4 | PT3-1X1L | 65 |
| | 6 | PT3-1X1H | 65 |
| | 6 Alam | PT3-1X1G | 65 |
| | 8 | PT3-1X1E | 45 |
| | 8 Alam | PT3-1X1D | 45 |
| 1 | 1 | PT3-1Y1Y | 65 |
| | 1 Alam | PT3-1Y1X | 65 |
| | 2 | PT3-1Y1V | 65 |
| | 2 Alam | PT3-1Y1T | 65 |
| | 4 | PT3-1Y1L | 65 |
| | 6 | PT3-1Y1H | 65 |
| | 6 Alam | PT3-1Y1G | 65 |
| | 8 | PT3-1Y1E | 45 |
| | 8 Alam | PT3-1Y1D | 45 |
| 1/0 Alam | 1/0 | PT3-2B2C | 90 |
| | 1/0 Alam | PT3-2B2B | 90 |
| | 1 | PT3-2B1Y | 65 |
| | 1 Alam | PT3-2B1X | 65 |
| | 2 | PT3-2B1V | 65 |
| | 2 Alam | PT3-2B1T | 65 |
| | 4 | PT3-2B1L | 65 |
| | 6 | PT3-2B1H | 65 |
| | 6 | PT3-2B1G | 65 |
| | 8 Alam | PT3-2B1E | 65 |
| | 8 | PT3-2B1D | 65 |



RADIO FRECUENCIA Y PUESTA A TIERRA, S.A. DE C.V.

CONEXION EN PARALELO HORIZONTAL

PT



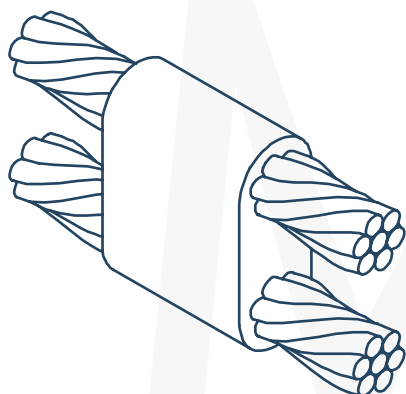
| DE PASO | DERIVACION | MOLDE | CARGA |
|---------|------------|----------|-------|
| 1/0 | 1/0 | PT3-2C2C | 90 |
| | 1/0 Alam | PT3-2C2B | 90 |
| | 1 | PT3-2C1Y | 65 |
| | 1 Alam | PT3-2C1X | 65 |
| | 2 | PT3-2C1V | 65 |
| | 2 Alam | PT3-2C1T | 65 |
| | 4 | PT3-2C1L | 65 |
| | 6 | PT3-2C1H | 65 |
| | 6 Alam | PT3-2C1G | 65 |
| | 8 | PT3-2C1E | 65 |
| 8 Alam | PT3-2C1D | 65 | |
| 2/0 | 2/0 | PT3-2G2G | 115 |
| | 1/0 | PT3-2G2C | 115 |
| | 1/0 Alam | PT3-2G2B | 115 |
| | 2 | PT3-2G1V | 90 |
| | 1 | PT3-2G1Y | 90 |
| | 1 Alam | PT3-2G1X | 90 |
| | 4 | PT3-2G1L | 90 |
| | 6 | PT3-2G1H | 90 |
| | 6 Alam | PT3-2G1G | 90 |
| | 8 | PT3-2G1E | 65 |
| 8 Alam | PT3-2G1D | 65 | |
| 3/0 | 3/0 | PT3-2L2L | 150 |
| | 2/0 | PT3-2L2G | 150 |
| | 1/0 | PT3-2L2C | 115 |
| | 1/0 Alam | PT3-2L2B | 115 |
| | 2 | PT3-2L1V | 115 |
| | 2 Alam | PT3-2L1T | 115 |
| | 1 Alam | PT3-2L1X | 115 |
| | 1 | PT3-2L1Y | 115 |
| | 4 | PT3-2L1L | 115 |
| | 6 | PT3-2L1H | 90 |
| 6 Alam | PT3-2L1G | 90 | |
| 8 | PT3-2L1E | 90 | |
| 8 Alam | PT3-2L1D | 90 | |



RADIO FRECUENCIA Y PUESTA A TIERRA, S.A. DE C.V.

CONEXIONES CON DERIVACIÓN EN PARALELO

PT



| DE PASO | DERIVACION | MOLDE | CARGA |
|---------|------------|-------|-------|
|---------|------------|-------|-------|

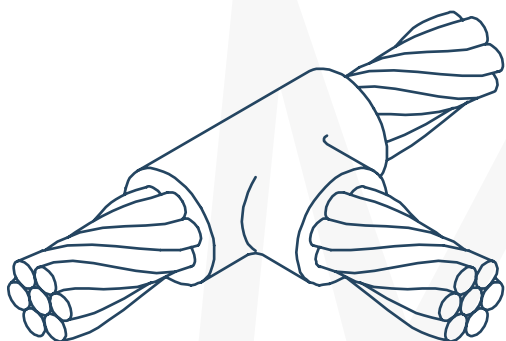
| | | | |
|----------|----------|----------|-----|
| 4/0 Alam | 4/0 | PT3-2P2Q | 200 |
| | 4/0 Alam | PT3-2P2P | 200 |
| | 3/0 | PT3-2P2L | 200 |
| | 2/0 | PT3-2P2G | 150 |
| | 1/0 | PT3-2P2C | 150 |
| | 1/0 Alam | PT3-2P2B | 150 |
| | 1 | PT3-2P1Y | 150 |
| | 1 Alam | PT3-2P1X | 150 |
| | 2 | PT3-2P1V | 150 |
| | 2 Alam | PT3-2P1T | 150 |
| | 4 | PT3-2P1L | 150 |
| | 6 | PT3-2P1H | 90 |
| | 6 Alam | PT3-2P1G | 90 |
| | 8 | PT3-2P1E | 90 |
| 8 Alam | PT3-2P1D | 90 | |
| 4/0 | 4/0 | PT3-2Q2Q | 200 |
| | 4/0 Alam | PT3-2Q2P | 200 |
| | 3/0 | PT3-2Q2L | 200 |
| | 2/0 | PT3-2Q2G | 150 |
| | 1/0 | PT3-2Q2C | 150 |
| | 1/0 Alam | PT3-2Q2B | 150 |
| | 1 | PT3-2Q1V | 150 |
| | 1 Alam | PT3-2Q1X | 150 |
| | 2 | PT3-2Q1V | 150 |
| | 2 Alam | PT3-2Q1T | 150 |
| | 4 | PT3-2Q1L | 150 |
| | 6 | PT3-2Q1H | 90 |
| | 6 Alam | PT3-2Q1G | 90 |
| | 8 | PT3-2Q1E | 90 |
| 8 Alam | PT3-2Q1D | 90 | |



RADIO FRECUENCIA Y PUESTA A TIERRA, S.A. DE C.V.

CONEXION EN "T" HORIZONTAL

TA



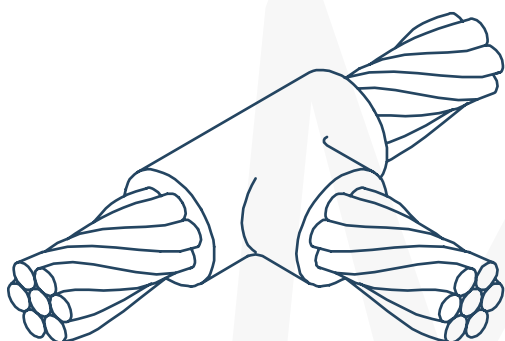
| DE PASO | DERIVACION | MOLDE | CARGA |
|---------|------------|----------|-------|
| 2 Alam | 2 | TA3-1T1V | 45 |
| | 2Alam | TA3-1T1T | 45 |
| | 4 | TA3-1T1L | 45 |
| 2 | 2 | TA3-1V1V | 45 |
| | 2 Alam | TA3-1V1T | 45 |
| | 4 | TA3-1V1L | 45 |
| 1 | 1 | TA3-1Y1Y | 45 |
| | 2 | TA3-1Y1V | 45 |
| | 2 Alam | TA3-1Y1T | 45 |
| 1/0 | 1/0 | TA3-2C2C | 90 |
| | 1 | TA3-2C1Y | 45 |
| | 2 | TA3-2C1V | 45 |
| | 2 Alam | TA3-2C1T | 45 |
| 2/0 | 2/0 | TA3-2G2G | 90 |
| | 1/0 | TA3-2G2C | 90 |
| | 1 | TA3-2G1Y | 45 |
| | 2 | TA3-2G1V | 45 |
| | 2 Alam | TA3-2G1T | 45 |
| 3/0 | 3/0 | TA3-2L2L | 115 |
| | 2/0 | TA3-2L2G | 90 |
| | 1/0 | TA3-2L2C | 90 |
| | 1 | TA3-2L1Y | 45 |
| | 2 | TA3-2L1V | 45 |
| | 2 Alam | TA3-2L1T | 45 |
| | 4 | TA3-2L1L | 45 |
| 4/0 | 4/0 | TA3-2Q2Q | 150 |
| | 3/0 | TA3-2Q2L | 115 |
| | 2/0 | TA3-2Q2G | 90 |
| | 1/0 | TA3-2Q2C | 90 |
| | 1 | TA3-2Q1Y | 90 |
| | 2 | TA3-2Q1V | 90 |
| | 2 Alam | TA3-2Q1T | 90 |
| | 4 | TA3-2Q1L | 90 |
| 250 | 250 | TA3-2V2V | 150 |
| | 4/0 | TA3-2V2Q | 150 |
| | 3/0 | TA3-2V2L | 150 |
| | 2/0 | TA3-2V2G | 90 |
| | 1/0 | TA3-2V2C | 90 |
| | 1 | TA3-2V1Y | 90 |
| | 2 | TA3-2V1V | 90 |
| | 2 Alam | TA3-2V1T | 90 |
| 4 | TA3-2V1L | 90 | |



RADIO FRECUENCIA Y PUESTA A TIERRA, S.A. DE C.V.

CONEXION EN "T" HORIZONTAL

TA



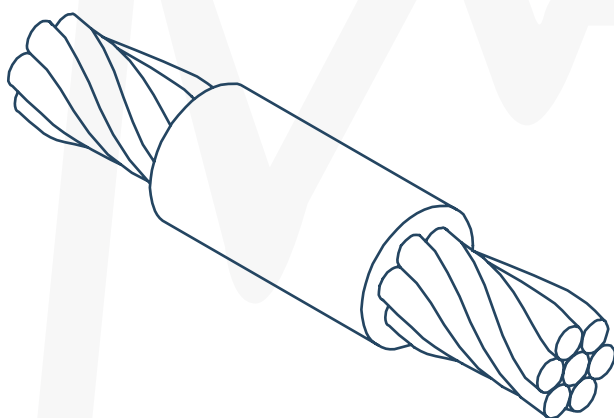
| DE PASO | DERIVACION | MOLDE | CARGA | |
|---------|------------|----------|----------|-------|
| 300 | 300 | TA3-3A3A | 200 | |
| | 200 | TA3-3A2V | 150 | |
| | 4/0 | TA3-3A2Q | 150 | |
| | 3/0 | TA3-3A2L | 150 | |
| | 2/0 | TA3-3A2G | 90 | |
| | 1/0 | TA3-3A2C | 90 | |
| | 1 | TA3-3A1Y | 90 | |
| | 2 | TA3-3A1V | 90 | |
| | 2 Alam | TA3-3A1T | 90 | |
| | 4 | TA3-3A1L | 90 | |
| 350 | 350 | TA3-3D3D | 200 | |
| | 300 | TA3-3D3A | 200 | |
| | 250 | TA3-3D2V | 200 | |
| | 4/0 | TA3-3D2Q | 150 | |
| | 3/0 | TA3-3D2L | 150 | |
| | 2/0 | TA3-ED2G | 90 | |
| | 1/0 | TA3-3D2C | 90 | |
| | 1 | TA3-3D1Y | 90 | |
| | 2 | TA3-3D1V | 90 | |
| | 4 | TA3-3D1L | 90 | |
| 500 | 500 | TA3-3Q3Q | 2-150 | |
| | 350 | TA3-3Q3D | 200 | |
| | 300 | TA3-3Q3A | 200 | |
| | 250 | TA3-3Q2V | 200 | |
| | 4/0 | TA3-3Q2Q | 150 | |
| | 2/0 | TA3-3Q2G | 90 | |
| | 1/0 | TA3-3Q2C | 90 | |
| | 1 | TA3-3Q1Y | 90 | |
| | 2 | TA3-3Q1V | 90 | |
| | 4 | TA3-3Q1L | 90 | |
| 750 | 750 | TA4-4L4L | 2-250 | |
| | 500 | TA44L3Q | 2-200 | |
| | 350 | TA3-4L3D | 250 | |
| | 300 | TA3-4L3A | 200 | |
| | 250 | TA3-4L2V | 200 | |
| | 4/0 | TA3-4L2Q | 150 | |
| | 2/0 | TA3-4L2G | 150 | |
| | 1/0 | TA3-4L2C | 150 | |
| | 1000 | 1000 | TA4-4Y4Y | 2-250 |
| | | 750 | TA4-4Y4L | 2-250 |
| 500 | | TA4-4Y3Q | 2-200 | |
| 350 | | TA3-4Y3D | 250 | |
| 300 | | TA3-4Y3A | 200 | |
| 250 | | TA3-4Y2V | 200 | |
| 4/0 | | TA3-4Y2Q | 150 | |
| 2/0 | | TA3-4Y2G | 150 | |
| 1/0 | | TA3-4Y2C | 150 | |



RADIO FRECUENCIA Y PUESTA A TIERRA, S.A. DE C.V.

CONEXION HORIZONTAL (EMPALME)

SS



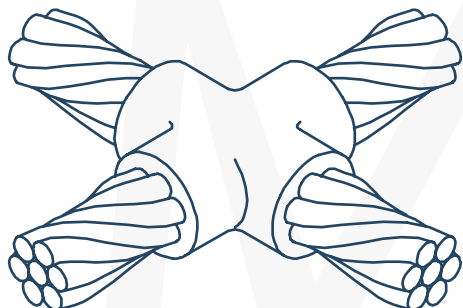
| CABLE | MOLDE | CARGA |
|----------|---------|-------|
| 4 | SS21-1L | 25 |
| 4 Alam | SS21-1K | 25 |
| 3 | SS21-1Q | 32 |
| 2 | SS21-1V | 32 |
| 2 Alam | SS21-1T | 32 |
| 1 | SS21-1Y | 32 |
| 1 Alam | SS21-1X | 32 |
| 1/0 | SS3-2C | 45 |
| 1/0 Alam | SS3-2B | 45 |
| 2/0 | SS3-2G | 65 |
| 3/0 | SS3-2L | 90 |
| 4/0 | SS3-2Q | 90 |
| 4/0 Alam | SS3-2P | 90 |
| 250 | SS3-2V | 115 |
| 300 | SS3-3A | 115 |
| 350 | SS3-3D | 150 |
| 500 | SS3-3Q | 200 |
| 750 | SS4-4L | 2-150 |
| 1000 | SS4-4Y | 2-200 |



RADIO FRECUENCIA Y PUESTA A TIERRA, S.A. DE C.V.

CONEXION EN "X" HORIZONTAL A TOPE

XA



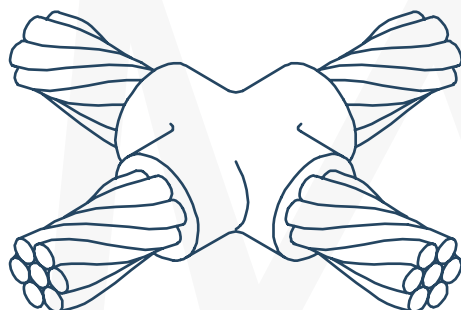
| DE PASO | DERIVACION | MOLDE | CARGA |
|---------|------------|----------|----------|
| 4 | 4 | XA3-1L1L | 45 |
| 2 | 2 | XA3-1V1V | 65 |
| | 4 | XA3-1V1L | 65 |
| 2 Alam | 2 Alam | XA3-1T1T | 65 |
| 1 | 1 | XA3-1Y1Y | 65 |
| | 2 | XA3-1Y1V | 65 |
| | 4 | XA3-1Y1L | 65 |
| 1/0 | 1/0 | XA3-2C2C | 90 |
| | 1 | XA3-2C1Y | 90 |
| | 2 | XA3-2C1V | 90 |
| | 4 | XA3-2C1L | 90 |
| 2/0 | 2/0 | XA3-2G2G | 115 |
| | 1/0 | XA3-2G2C | 115 |
| | 1 | XA3-2G1Y | 115 |
| | 2 | XA3-2G1V | 115 |
| 3/0 | 3/0 | XA3-2L2L | 150 |
| | 2/0 | XA3-2L2G | 150 |
| | 1/0 | XA3-2L2C | 115 |
| | 1 | XA3-2L1Y | 115 |
| | 2 | XA3-2L1V | 115 |
| 4/0 | 4/0 | XA3-2Q2Q | 200 |
| | 3/0 | XA3-2Q2L | 200 |
| | 2/0 | XA3-2Q2G | 150 |
| | 1/0 | XA3-2Q2C | 150 |
| | 1 | XA3-2Q1Y | 115 |
| 2 | 2 | XA3-2Q1V | 115 |
| | 250 | 250 | XA3-2V2V |
| 4/0 | | XA3-2V2Q | 200 |
| 3/0 | | XA3-2V2L | 200 |
| 2/0 | 2/0 | XA3-2V2G | 150 |
| | 1/0 | XA3-2V2C | 150 |
| | 1 | XA3-2V1Y | 115 |
| | 2 | XA3-2V1V | 115 |



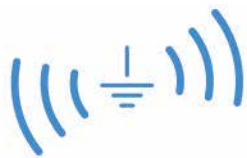
RADIO FRECUENCIA Y PUESTA A TIERRA, S.A. DE C.V.

CONEXION EN "X" HORIZONTAL A TOPE

XA



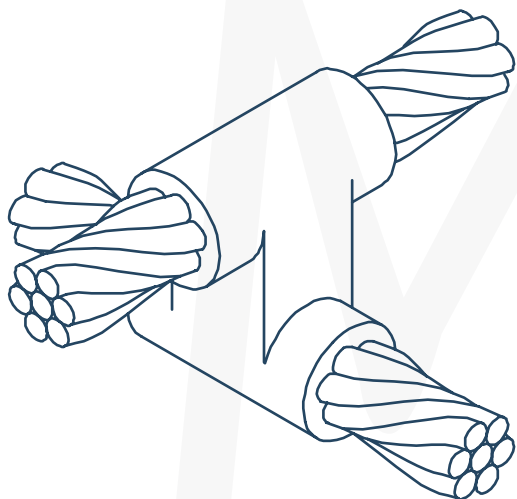
| DE PASO | DERIVACION | MOLDE | CARGA | |
|---------|------------|----------|----------|-------|
| 300 | 300 | XA3-3A3A | 250 | |
| | 250 | XA3-3A2V | 250 | |
| | 4/0 | XA3-3A2Q | 200 | |
| | 3/0 | XA3-3A2L | 200 | |
| | 2/0 | XA3-3A2G | 150 | |
| | 1/0 | XA3-3A2C | 150 | |
| | 1 | XA3-3A1Y | 115 | |
| | 2 | XA3-3A1V | 115 | |
| | 350 | 350 | XA3-3D3D | 250 |
| | | 300 | XA3-3D3A | 250 |
| 250 | | XA3-3D2V | 250 | |
| 4/0 | | XA3-3D2Q | 200 | |
| 3/0 | | XA3-3D2L | 200 | |
| 2/0 | | XA3-3D2G | 200 | |
| 1/0 | | XA3-3D2C | 200 | |
| 1 | | XA3-3D1Y | 150 | |
| 2 | | XA3-3D1V | 150 | |
| 500 | | 500 | XA4-3Q3Q | 2-250 |
| | 350 | XA4-3Q3D | 2-200 | |
| | 300 | XA4-3Q3A | 2-200 | |
| | 250 | XA4-3Q2V | 2-150 | |
| | 4/0 | XA4-3Q2Q | 2-150 | |
| | 3/0 | XA4-3Q2L | 2-150 | |
| | 2/0 | XA3-3Q2G | 250 | |
| | 1/0 | XA3-3Q2C | 250 | |



RADIO FRECUENCIA Y PUESTA A TIERRA, S.A. DE C.V.

CONEXION EN "X" HORIZONTAL DE PASO

XB



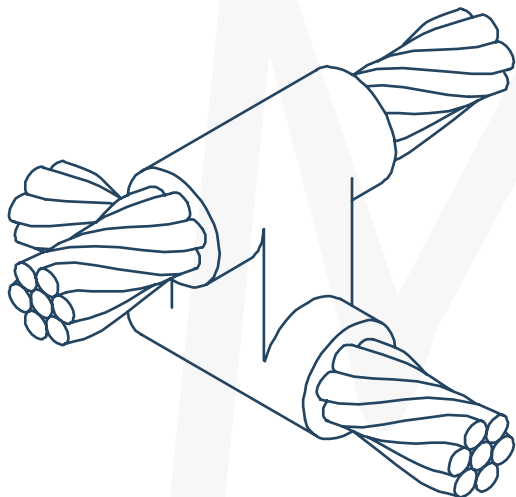
| DE PASO | DERIVACION | MOLDE | CARGA |
|-------------|-------------|-----------|-------|
| 6 Alam 6 | 6 Alam 6 | XB17-1G1G | 32 |
| | | XB17-1H1H | 45 |
| 4 | 4 | XB3-1L1L | 65 |
| 2 | 2 4 | XB3-1V1V | 90 |
| | | XB3-1V1L | 65 |
| 2 Alam | 2 Alam | XB3-1T1T | 90 |
| 1 | 1 | XB3-1Y1Y | 115 |
| | 2 | XB3-1Y1V | 90 |
| | 4 | XB3-1Y1L | 90 |
| 1/0 | 1/0 | XB13-2C2C | 150 |
| | 1 | XB13-2C1Y | 150 |
| | 2 | XB13-2C1V | 115 |
| | 4 | XB13-2C1L | 115 |
| 2/0 | 2/0 | XB13-2G2G | 200 |
| | 1/0 | XB13-2G2C | 200 |
| | 1 | XB13-2G1Y | 150 |
| | 2 | XB13-2G1V | 150 |
| 3/0 | 3/0 | XB13-2L2L | 250 |
| | 2/0 | XB13-2L2G | 200 |
| | 1/0 | XB13-2L2C | 200 |
| | 1 | XB13-2L1Y | 150 |
| | 2 | XB13-2L1V | 150 |
| 4/0 | 4/0 | XB13-2Q2Q | 250 |
| | 3/0 | XB13-2Q2L | 250 |
| | 2/0 | XB13-2Q2G | 200 |
| | 1/0 | XB13-2Q2C | 200 |
| | 1 | XB13-2Q1Y | 150 |
| 2 | XB13-2Q1V | 150 | |
| 250 | 250 | XB13-2V2V | 2-150 |
| | 4/0 | XB13-2V2Q | 2-150 |
| | 3/0 | XB13-2V2L | 2-150 |
| 250 | 2/0 | XB13-2V2G | 250 |
| | 1/0 | XB13-2V2C | 250 |
| | 1 | XB13-2V1Y | 200 |
| | 2 | XB13-2V1V | 150 |



RADIO FRECUENCIA Y PUESTA A TIERRA, S.A. DE C.V.

CONEXION EN "X" HORIZONTAL DE PASO

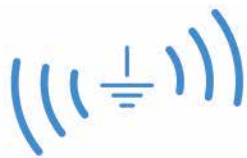
XB



| DE PASO | DERIVACION | MOLDE | CARGA | |
|---------|------------|-----------|-----------|-------|
| 300 | 300 | XB23-3A3A | 2-200 | |
| | 250 | XB23-3A2V | 2-200 | |
| | 4/0 | XB13-3A2Q | 2-150 | |
| | 3/0 | XB13-3A2L | 2-150 | |
| | 2/0 | XB13-3A2G | 250 | |
| | 1/0 | XB13-3A2C | 250 | |
| | 1 | XB13-3A1Y | 200 | |
| | 2 | XB13-3A1V | 150 | |
| | 350 | 350 | XB23-3D3D | 2-250 |
| | | 300 | XB23-3D3A | 2-250 |
| 250 | | XB23-3D2V | 2-250 | |
| 4/0 | | XB23-3D2Q | 2-200 | |
| 3/0 | | XB23-3D2L | 2-200 | |
| 2/0 | | XB13-3D2G | 2-150 | |
| 1/0 | | XB13-3D2C | 250 | |
| 1 | | XB13-3D1Y | 200 | |
| 2 | | XB13-3D1V | 200 | |
| 500 | | 500 | XB23-3Q3Q | 3-250 |
| | 350 | XB23-3Q3D | 3-200 | |
| | 300 | XB23-3Q3A | 3-200 | |
| | 250 | XB23-3Q2V | 2-250 | |
| | 4/0 | XB23-3Q2Q | 2-250 | |
| | 3/0 | XB23-3Q2L | 2-250 | |
| | 2/0 | XB23-3Q2G | 2-200 | |
| | 1/0 | XB13-3Q2C | 2-150 | |

PRODUCTO NUEVO

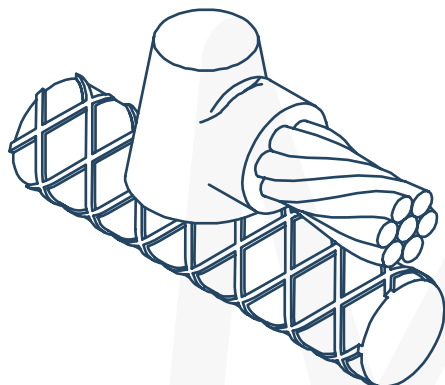
| DE PASO | DERIVACION | MOLDE | CARGA |
|-----------|------------|-----------|-------|
| 1/0 Alam. | 1/0 Alam. | XB18-2B2B | 150 |
| 1/0 Conc. | 1/0 Conc. | XB18-2C2C | 150 |
| 2/0 Alam. | 2/0 Alam. | XB18-2F2F | 200 |
| 2/0 Conc. | 2/0 Conc. | XB18-2G2G | 200 |
| 3/0 Alam. | 3/0 Alam. | XB18-2K2K | 250 |
| 3/0 Conc. | 3/0 Conc. | XB18-2L2L | 250 |
| 4/0 Alam. | 4/0 Alam. | XB18-2P2P | 250 |
| 4/0 Conc. | 4/0 Conc. | XB18-2Q2Q | 250 |
| 250 Alam. | 250 Alam. | XB18-2T2T | 2-150 |
| 250 Conc. | 250 Conc. | XB18-2V2V | 2-150 |
| 300 Conc. | 300 Conc. | XB27-3A3A | 2-200 |
| 350 Conc. | 350 Conc. | XB27-3D3D | 500 |
| 400 Conc. | 400 Conc. | XB27-3H3H | 3-200 |
| 500 Conc. | 500 Conc. | XB27-3Q3Q | 3-250 |



RADIO FRECUENCIA Y PUESTA A TIERRA, S.A. DE C.V.

CONEXION CABLE A VARILLA CORRUGADA, CONEXION DE CABLE A VARILLA CORRUGADA HORIZONTAL

RR



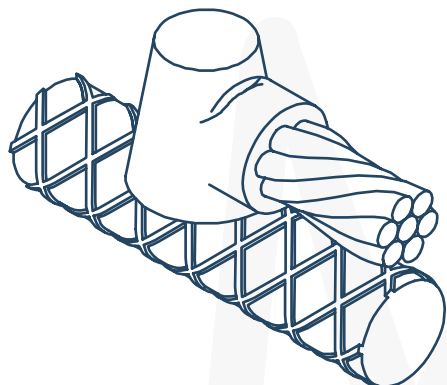
| VARILLA | DERIVACION | MOLDE | CARGA |
|---------|------------|----------|-------|
| 3 | 6 | RR3-511H | 25 |
| | 4 | RR3-511L | 32 |
| | 2 Alam | RR3-511T | 45 |
| | 2 | RR3-511V | 45 |
| | 1 | RR3-511Y | 65 |
| 4 | 1/0 | RR3-512C | 90 |
| | 2/0 | RR3-512G | 90 |
| | 3/0 | RR3-512L | 115 |
| | 4/0 | RR3-512Q | 115 |
| 5 | 6 | RR1-521H | 25 |
| | 4 | RR1-521L | 32 |
| | 2 Alam | RR1-521T | 45 |
| | 2 | RR1-521V | 45 |
| | 1 | RR1-521Y | 65 |
| 6 | 1/0 | RR3-522C | 90 |
| | 2/0 | RR3-522G | 90 |
| | 3/0 | RR3-522L | 115 |
| | 4/0 | RR3-522Q | 115 |
| 6 | 6 | RR1-531H | 25 |
| | 4 | RR1-531L | 32 |
| | 2 Alam | RR1-531T | 45 |
| | 2 | RR1-531V | 45 |
| | 1 | RR1-531Y | 65 |
| 6 | 1/0 | RR3-532C | 90 |
| | 2/0 | RR3-532G | 90 |
| | 3/0 | RR3-532L | 115 |
| | 4/0 | RR3-532Q | 115 |
| 6 | 6 | RR1-541H | 25 |
| | 4 | RR1-541L | 32 |
| | 2 Alam | RR1-541T | 45 |
| | 2 | RR1-541V | 45 |
| | 1 | RR1-541Y | 65 |
| 6 | 1/0 | RR8-542C | 90 |
| | 2/0 | RR8-542G | 90 |
| | 3/0 | RR8-542L | 115 |
| | 4/0 | RR8-542Q | 115 |



RADIO FRECUENCIA Y PUESTA A TIERRA, S.A. DE C.V.

CONEXION CABLE A VARILLA CORRUGADA, CONEXION DE CABLE A VARILLA CORRUGADA HORIZONTAL

RR



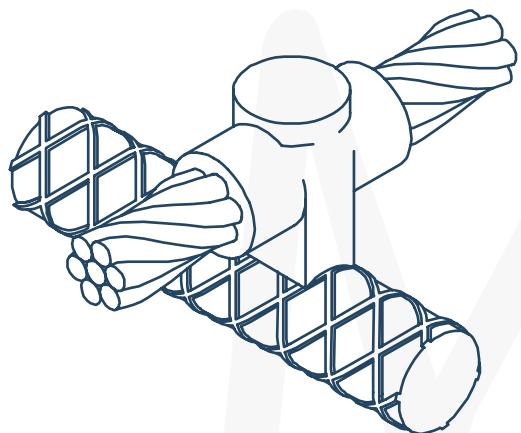
| VARILLA | DERIVACION | MOLDE | CARGA | |
|---------|------------|----------|----------|-----|
| 7 | 4 | RR3-551L | 32 | |
| | 2 | RR3-551V | 45 | |
| | 2 Alam | RR3-551T | 45 | |
| | 1 | RR3-551Y | 65 | |
| | 1/0 | RR8-552C | 90 | |
| | 2/0 | RR8-552G | 90 | |
| | 3/0 | RR8-552L | 115 | |
| | 4/0 | RR8-552Q | 115 | |
| | 8 | 2 Alam | RR1-561T | 45 |
| | | 2 | RR1-561V | 45 |
| 1 | | RR1-561Y | 65 | |
| 1/0 | | RR8-562C | 90 | |
| 2/0 | | RR8-562G | 90 | |
| 3/0 | | RR8-562L | 115 | |
| 4/0 | | RR8-562Q | 115 | |
| 9 | | 2 Alam | RR1-571T | 45 |
| | | 2 | RR1-571V | 45 |
| | | 1 | RR1-571Y | 65 |
| | 1/0 | RR8-572C | 90 | |
| | 2/0 | RR8-572G | 90 | |
| | 3/0 | RR8-572L | 115 | |
| | 4/0 | RR8-572Q | 115 | |
| | 10 | 2 Alam | RR1-581T | 45 |
| | | 2 | RR1-581V | 45 |
| | | 1 | RR1-581Y | 65 |
| 1/0 | | RR8-582C | 90 | |
| 2/0 | | RR8-582G | 90 | |
| 3/0 | | RR8-582L | 115 | |
| 4/0 | | RR8-582Q | 115 | |
| 11 | | 2 Alam | RR1-591T | 45 |
| | | 2 | RR1-591V | 45 |
| | | 1 | RR1-591Y | 65 |
| | 1/0 | RR8-592C | 90 | |
| | 2/0 | RR8-592G | 90 | |
| | 3/0 | RR8-592L | 115 | |
| | 4/0 | RR8-592Q | 115 | |
| | 14 | 1/0 | RR8-602C | 90 |
| | | 2/0 | RR8-602G | 90 |
| | | 3/0 | RR8-602L | 115 |
| 4/0 | | RR8-602Q | 115 | |
| 18 | 1/0 | RR8-612C | 90 | |
| | 2/0 | RR8-612G | 90 | |
| | 3/0 | RR8-612L | 115 | |
| | 4/0 | RR8-612Q | 115 | |



RADIO FRECUENCIA Y PUESTA A TIERRA, S.A. DE C.V.

CONEXION CABLE A VARILLA CORRUGADA, CONEXION DE CABLE DE PASO A VARILLA CORRUGADA HORIZONTAL

RD



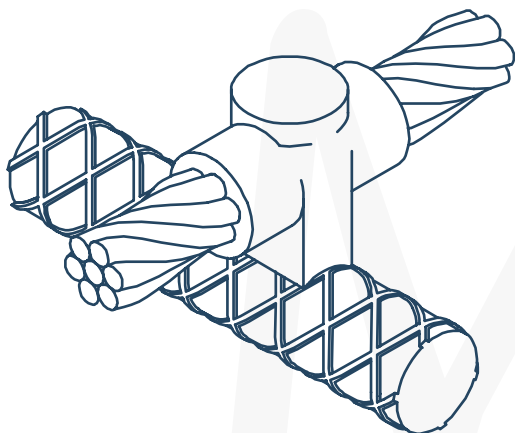
| VARILLA | DERIVACION | MOLDE | CARGA |
|---------|------------|-----------|----------|
| 3 | 6 | RD3-511H | 65 |
| | 4 | RD3-511L | 65 |
| | 2 Alam | RD3-511T | 90 |
| | 2 | RD3-511V | 90 |
| | 1 | RD3-511Y | 90 |
| 4 | 1/0 | RD13-512C | 115 |
| | 2/0 | RD13-512G | 115 |
| | 3/0 | RD13-512L | 150 |
| | 4/0 | RD13-512Q | 150 |
| | 5 | 6 | RD3-521H |
| 4 | | RD3-521L | 65 |
| 2 Alam | | RD3-521T | 90 |
| 2 | | RD3-521V | 90 |
| 1 | | RD13-521Y | 90 |
| 6 | 1/0 | RD13-522C | 115 |
| | 2/0 | RD13-522G | 115 |
| | 3/0 | RD13-522L | 150 |
| | 4/0 | RD13-522Q | 150 |
| | 7 | 6 | RD3-531H |
| 4 | | RD3-531L | 65 |
| 2 Alam | | RD3-531T | 90 |
| 2 | | RD3-531V | 90 |
| 1 | | RD13-531Y | 90 |
| 8 | 1/0 | RD13-532C | 115 |
| | 2/0 | RD13-532G | 115 |
| | 3/0 | RD13-532L | 150 |
| | 4/0 | RD13-532Q | 150 |
| | 9 | 6 | RD8-541H |
| 4 | | RD8-541L | 65 |
| 2 Alam | | RD8-541T | 90 |
| 2 | | RD8-541V | 90 |
| 1 | | RD8-541Y | 90 |
| 10 | 1/0 | RD8-542C | 115 |
| | 2/0 | RD8-542G | 115 |
| | 3/0 | RD8-542L | 150 |
| | 4/0 | RD8-542Q | 150 |



RADIO FRECUENCIA Y PUESTA A TIERRA, S.A. DE C.V.

CONEXION CABLE A VARILLA CORRUGADA, CONEXION DE CABLE DE PASO A VARILLA CORRUGADA VERTICAL

RD



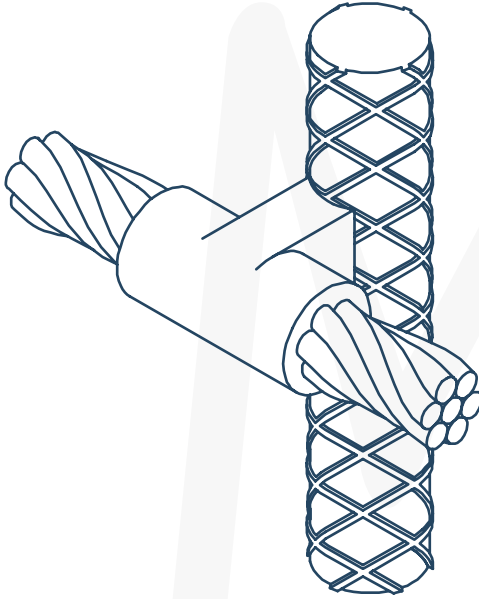
| VARILLA | DERIVACION | MOLDE | CARGA |
|---------|------------|----------|-------|
| 7 | 4 | RD8-551L | 65 |
| | 2 Alam | RD8-551T | 90 |
| | 2 | RD8-551V | 90 |
| | 1 | RD8-551Y | 90 |
| | 1/0 | RD8-552C | 115 |
| 8 | 2/0 | RD8-552G | 115 |
| | 3/0 | RD8-552L | 150 |
| | 4/0 | RD8-552Q | 150 |
| | 2 Alam | RD8-561T | 90 |
| 9 | 2 | RD8-561V | 90 |
| | 1 | RD8-561Y | 90 |
| | 1/0 | RD8-562C | 115 |
| | 2/0 | RD8-562G | 115 |
| | 3/0 | RD8-562L | 150 |
| 10 | 4/0 | RD8-562Q | 150 |
| | 2 Alam | RD8-571T | 90 |
| | 2 | RD8-571V | 90 |
| | 1 | RD8-571Y | 90 |
| 11 | 1/0 | RD8-572C | 115 |
| | 2/0 | RD8-572G | 115 |
| | 3/0 | RD8-572L | 150 |
| | 4/0 | RD8-572Q | 150 |
| | 2 Alam | RD8-581T | 90 |
| 14 | 2 | RD8-581V | 90 |
| | 1 | RD8-581Y | 90 |
| | 1/0 | RD8-582C | 115 |
| | 2/0 | RD8-582G | 115 |
| | 3/0 | RD8-582L | 150 |
| 18 | 4/0 | RD8-582Q | 150 |
| | 2 Alam | RD8-591T | 90 |
| | 2 | RD8-591V | 90 |
| | 1 | RD8-591Y | 90 |
| 18 | 1/0 | RD8-592C | 115 |
| | 2/0 | RD8-592G | 115 |
| | 3/0 | RD8-592L | 150 |
| | 4/0 | RD8-592Q | 150 |
| | 1/0 | RD8-602C | 115 |
| 18 | 2/0 | RD8-602G | 115 |
| | 3/0 | RD8-602L | 150 |
| | 4/0 | RD8-602Q | 150 |
| | 1/0 | RD8-612C | 115 |
| 18 | 2/0 | RD8-612G | 115 |
| | 3/0 | RD8-612L | 150 |
| | 4/0 | RD8-612Q | 150 |



RADIO FRECUENCIA Y PUESTA A TIERRA, S.A. DE C.V.

CONEXION CABLE A VARILLA CORRUGADA, CONEXION DE CABLE DE PASO A VARILLA CORRUGADA VERTICAL

RC



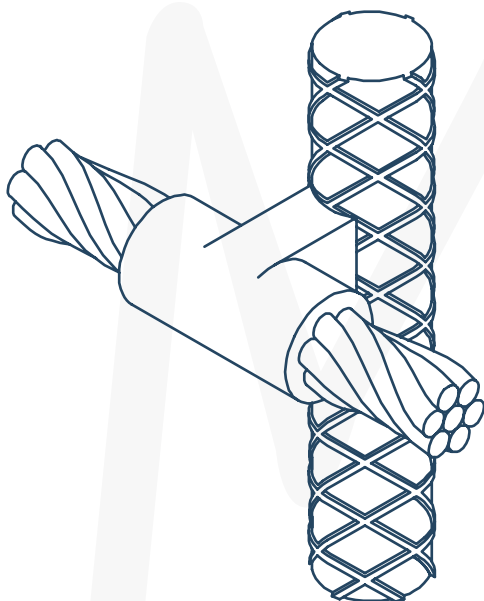
| VARILLA | DERIVACION | MOLDE | CARGA |
|---------|------------|----------|----------|
| 3 | 6 | RC5-511H | 90 |
| | 4 | RC5-511L | 90 |
| | 2 Alam | RC5-511T | 90 |
| | 2 | RC5-511V | 90 |
| | 1 | RC5-511Y | 115 |
| | 1/0 | RC5-512C | 115 |
| | 2/0 | RC5-512G | 115 |
| | 3/0 | RC5-512L | 150 |
| | 4/0 | RC5-512Q | 150 |
| | 4 | 6 | RC5-521H |
| 4 | | RC5-521L | 90 |
| 2 Alam | | RC5-521T | 90 |
| 2 | | RC5-521V | 90 |
| 1 | | RC5-521Y | 115 |
| 1/0 | | RC5-522C | 115 |
| 2/0 | | RC5-522G | 115 |
| 3/0 | | RC5-522L | 150 |
| 4/0 | | RC5-522Q | 150 |
| 5 | | 6 | RC5-531H |
| | 4 | RC5-531L | 90 |
| | 2 Alam | RC5-531T | 90 |
| | 2 | RC5-531V | 90 |
| | 1 | RC5-531Y | 115 |
| | 1/0 | RC5-532C | 115 |
| | 2/0 | RC5-532G | 115 |
| | 3/0 | RC5-532L | 150 |
| | 4/0 | RC5-532Q | 150 |
| | 6 | 6 | RC5-541H |
| 4 | | RC5-541L | 90 |
| 2 Alam | | RC5-541T | 90 |
| 2 | | RC5-541V | 90 |
| 1 | | RC5-541Y | 115 |
| 1/0 | | RC5-542C | 115 |
| 2/0 | | RC5-542G | 115 |
| 3/0 | | RC5-542L | 150 |
| 4/0 | | RC5-542Q | 150 |



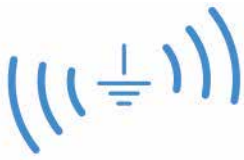
RADIO FRECUENCIA Y PUESTA A TIERRA, S.A. DE C.V.

CONEXION CABLE A VARILLA CORRUGADA, CONEXION DE CABLE A VARILLA CORRUGADA VERTICAL

RC



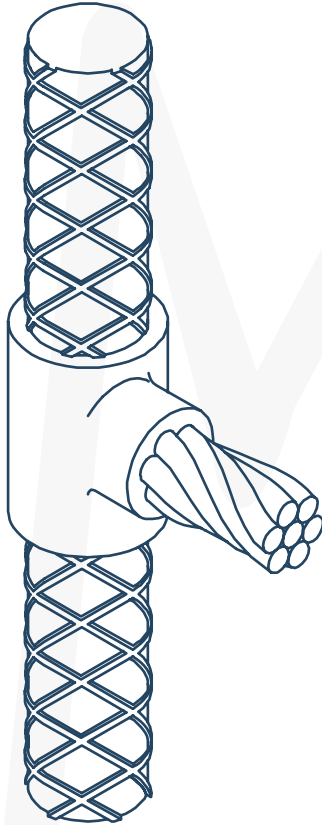
| VARILLA | DERIVACION | MOLDE | CARGA | |
|---------|------------|----------|----------|-----|
| 7 | 4 | RC5-551L | 90 | |
| | 2 Alam | RC5-551T | 90 | |
| | 2 | RC5-551V | 90 | |
| | 1 | RC5-551Y | 115 | |
| | 1/0 | RC5-552C | 115 | |
| | 2/0 | RC5-552G | 115 | |
| | 3/0 | RC5-552L | 150 | |
| | 4/0 | RC5-552Q | 150 | |
| | 8 | 2 Alam | RC5-561T | 90 |
| | | 2 | RC5-561V | 90 |
| 1 | | RC5-561Y | 115 | |
| 1/0 | | RC5-562C | 115 | |
| 2/0 | | RC5-562G | 115 | |
| 3/0 | | RC5-562L | 150 | |
| 4/0 | | RC5-562Q | 150 | |
| 9 | | 2 Alam | RC5-571T | 90 |
| | | 2 | RC5-571V | 90 |
| | | 1 | RC5-571Y | 115 |
| | 1/0 | RC5-572C | 115 | |
| | 2/0 | RC5-572G | 115 | |
| | 3/0 | RC5-572L | 150 | |
| | 4/0 | RC5-572Q | 150 | |
| | 10 | 2 Alam | RC5-581T | 90 |
| | | 2 | RC5-581V | 90 |
| | | 1 | RC5-581Y | 115 |
| 1/0 | | RC5-582C | 115 | |
| 2/0 | | RC5-582G | 115 | |
| 3/0 | | RC5-582L | 150 | |
| 4/0 | | RC5-582Q | 150 | |
| 11 | | 2 Alam | RC5-591T | 90 |
| | | 2 | RC5-591V | 90 |
| | | 1 | RC5-591Y | 115 |
| | 1/0 | RC5-592C | 115 | |
| | 2/0 | RC5-592G | 115 | |
| | 3/0 | RC5-592L | 150 | |
| | 4/0 | RC5-592Q | 150 | |
| | 14 | 1/0 | RC5-602C | 115 |
| | | 2/0 | RC5-602G | 115 |
| | | 3/0 | RC5-602L | 150 |
| 4/0 | | RC5-602Q | 150 | |
| 18 | 1/0 | RC5-612C | 115 | |
| | 2/0 | RC5-612G | 115 | |
| | 3/0 | RC5-612L | 150 | |
| | 4/0 | RC5-612Q | 150 | |



RADIO FRECUENCIA Y PUESTA A TIERRA, S.A. DE C.V.

CONEXION CABLE A VARILLA CORRUGADA, CONEXION DE CABLE A VARILLA CORRUGADA VERTICAL

RJ



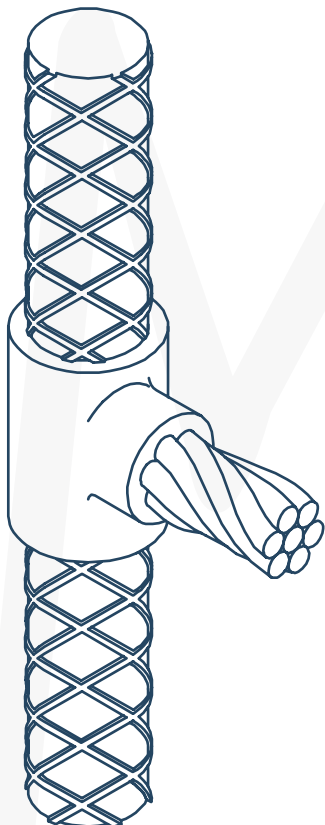
| VARILLA | DERIVACION | MOLDE | CARGA |
|---------|------------|----------|----------|
| 3 | 6 | RJ3-511H | 45 |
| | 4 | RJ3-511L | 65 |
| | 2 Alam | RJ3-511T | 65 |
| | 2 | RJ3-511V | 65 |
| | 1 | RJ3-511Y | 90 |
| | 1/0 | RJ3-512C | 115 |
| | 2/0 | RJ3-512G | 115 |
| | 3/0 | RJ3-512L | 150 |
| | 4/0 | RJ3-512Q | 150 |
| | 4 | 6 | RJ3-521H |
| 4 | | RJ3-521L | 65 |
| 2 Alam | | RJ3-521T | 65 |
| 2 | | RJ3-521V | 65 |
| 1 | | RJ3-521Y | 90 |
| 1/0 | | RJ3-522C | 115 |
| 2/0 | | RJ3-522G | 115 |
| 3/0 | | RJ3-522L | 150 |
| 4/0 | | RJ3-522Q | 150 |
| 5 | | 6 | RJ3-531H |
| | 4 | RJ3-531L | 65 |
| | 2 Alam | RJ3-531T | 65 |
| | 2 | RJ3-531V | 65 |
| | 1 | RJ3-531Y | 90 |
| | 1/0 | RJ3-532C | 115 |
| | 2/0 | RJ3-532G | 115 |
| | 3/0 | RJ3-532L | 150 |
| | 4/0 | RJ3-532Q | 150 |
| | 6 | 6 | RJ3-541H |
| 4 | | RJ3-541L | 65 |
| 2 Alam | | RJ3-541T | 65 |
| 2 | | RJ3-541V | 65 |
| 1 | | RJ3-541Y | 90 |
| 1/0 | | RJ3-542C | 115 |
| 2/0 | | RJ3-542G | 115 |
| 3/0 | | RJ3-542L | 150 |
| 4/0 | | RJ3-542Q | 150 |



RADIO FRECUENCIA Y PUESTA A TIERRA, S.A. DE C.V.

CONEXION CABLE A VARILLA CORRUGADA, CONEXION DE CABLE A VARILLA CORRUGADA VERTICAL

RJ



| VARILLA | DERIVACION | MOLDE | CARGA | |
|---------|------------|----------|----------|-----|
| 7 | 4 | RJ5-551L | 65 | |
| | 2 Alam | RJ5-551T | 65 | |
| | 2 | RJ5-551V | 65 | |
| | 1 | RJ5-551Y | 90 | |
| | 1/0 | RJ5-552C | 115 | |
| | 2/0 | RJ5-552G | 115 | |
| | 3/0 | RJ5-552L | 150 | |
| | 4/0 | RJ5-552Q | 150 | |
| | 8 | 2 Alam | RJ5-561T | 65 |
| | | 2 | RJ5-561V | 65 |
| 1 | | RJ5-561Y | 90 | |
| 1/0 | | RJ5-562C | 115 | |
| 2/0 | | RJ5-562G | 115 | |
| 3/0 | | RJ5-562L | 150 | |
| 4/0 | | RJ5-562Q | 150 | |
| 9 | | 2 Alam | RJ5-571T | 65 |
| | | 2 | RJ5-571V | 65 |
| | | 1 | RJ5-571Y | 90 |
| | 1/0 | RJ5-572C | 115 | |
| | 2/0 | RJ5-572G | 115 | |
| | 3/0 | RJ5-572L | 150 | |
| | 4/0 | RJ5-572Q | 150 | |
| | 10 | 2 Alam | RJ5-581T | 65 |
| | | 2 | RJ5-581V | 65 |
| | | 1 | RJ5-581Y | 90 |
| 1/0 | | RJ5-582C | 115 | |
| 2/0 | | RJ5-582G | 115 | |
| 3/0 | | RJ5-582L | 150 | |
| 4/0 | | RJ5-582Q | 150 | |
| 11 | | 2 Alam | RJ5-591T | 65 |
| | | 2 | RJ5-591V | 65 |
| | | 1 | RJ5-591Y | 90 |
| | 1/0 | RJ5-592C | 115 | |
| | 2/0 | RJ5-592G | 115 | |
| | 3/0 | RJ5-592L | 150 | |
| | 4/0 | RJ5-592Q | 150 | |
| | 14 | 1/0 | RJ5-602C | 115 |
| | | 2/0 | RJ5-602G | 115 |
| | | 3/0 | RJ5-602L | 150 |
| 4/0 | | RJ5-602Q | 150 | |
| 18 | 1/0 | RJ5-612C | 115 | |
| | 2/0 | RJ5-612G | 115 | |
| | 3/0 | RJ5-612L | 150 | |
| | 4/0 | RJ5-612Q | 150 | |



***Circuito de la Constitución 15-4
Cumbres del Valle, Tlalnepantla
Estado de México CP 54025***

***Tels.: +52 55 7089 7380
+ 52 55 7089 7381***

ventas@tierrafisica.com .mx

www.tierrafisica.com .mx